

 **ADOWIN**[®]

RAIL SERIES
PVC PROFILE SYSTEM



TECHNIC

DOUBLE AND SINGLE RAIL SLIDING SERIES

Profile Width: 75 mm double rail frame, 92,5 mm single rail frame and 50 mm sliding system sash profile.
Number of chambers: 3 chambers system
Profile Class: B Class (TS EN 12608-1)
Seal Type: The insulated bristle wick system
Seal Type and Color: TPE - Grey /Black
Glass Thickness (mm): 4 - 6, 20, 24 mm

- 1** Frame with fly-screen and sill option
- 2** Triple rail sash option
- 3** Single and double glass option.

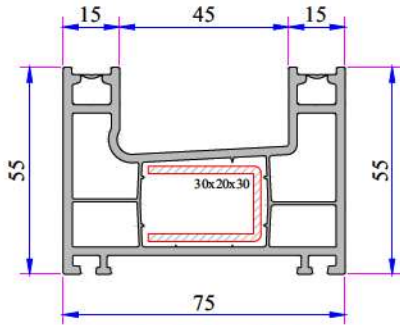
INSTRUCTION

- 75 mm profile width with double railed frame and 92,5 mm width single rail alternative frame and 50 mm width of sash choices.
- Application with roller shutter and without roller shutter profile.
- Wooden designed laminated applications.
- Perfect thermal, sound and water isolation because of the 3 chambers system.
- The medium locked sash with a seal system.
- Application of single glaze 4-6 mm and insulating glass 20, 24 mm by grey sealed glazing beads in different thickness.

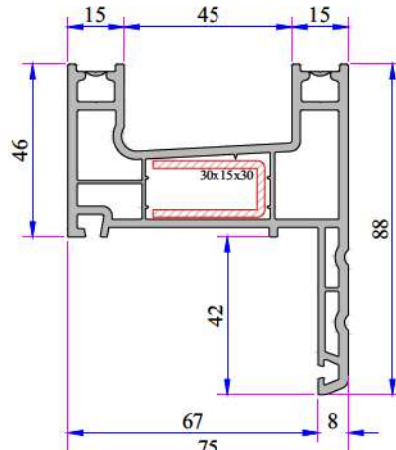
LAMINATED COLORS



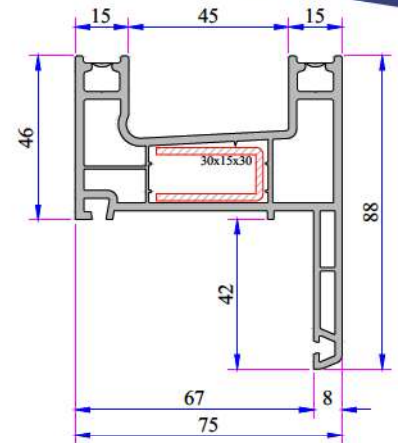
RAIL SERIES PVC PROFILE SYSTEM



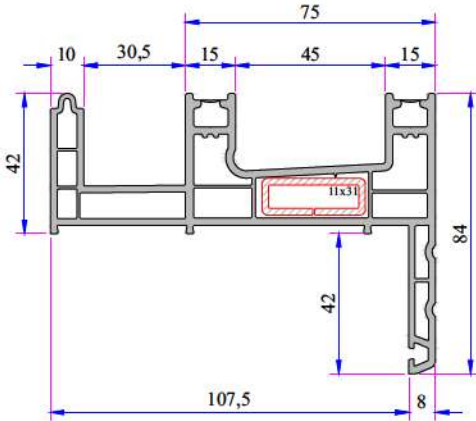
Frame Profile (Double Rail)
P.A.232.1106.600.0.00.03



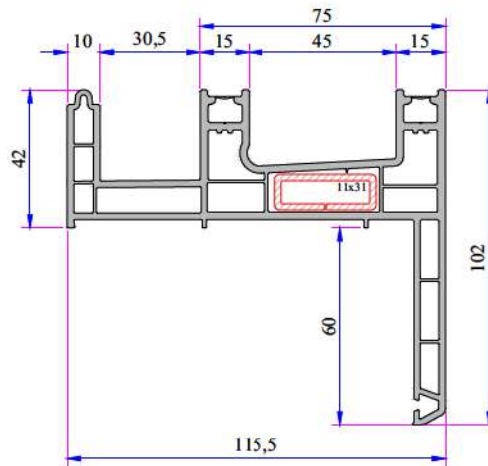
Frame Profile With Sill (Decorative)
P.A.232.1107.600.0.00.03



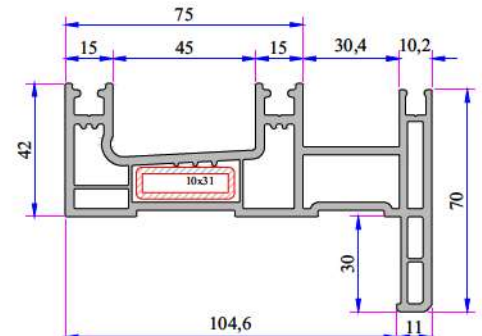
Frame Profile With Flat Sill
P.A.232.1110.600.0.00.03



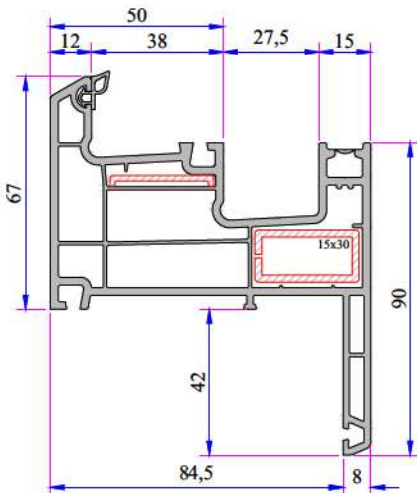
Frame Profile With Fly - Screen & Sill
P.A.232.1109.600.0.00.03



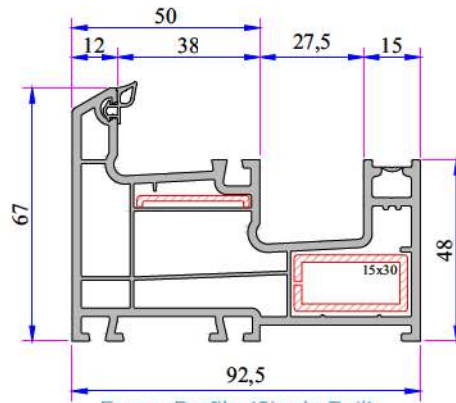
Double Rail Frame Profile With
Fly - Screen 60 mm Sill
P.A.232.1115.600.0.00.03



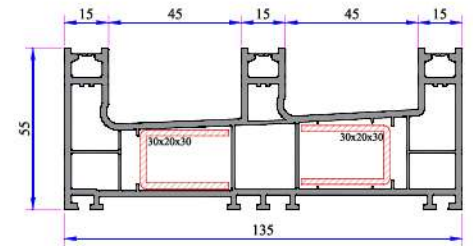
Frame Profile With Internal Fly-Screen
P.A.242.1104.600.0.00.03



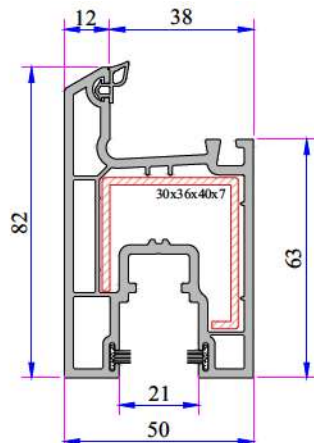
Frame Profile With Sill (Single Rail)
P.A.232.1114.600.0.00.03



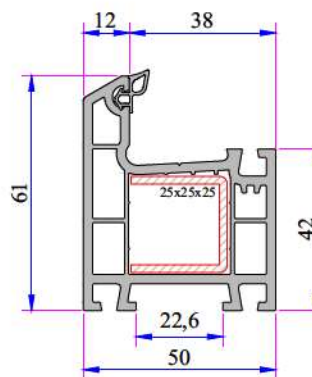
Frame Profile (Single Rail)
P.A.232.1105.600.0.00.03



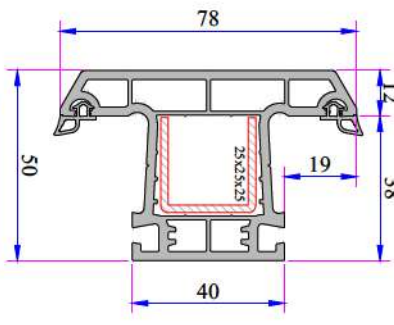
Frame Profile (Triple Rail)



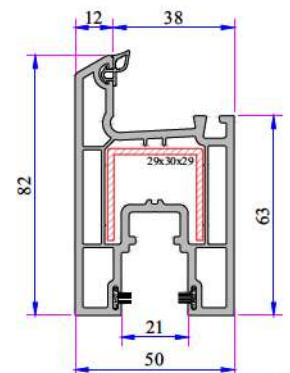
Sliding System Sash Profile (Static)
P.A.232.2308.111.0.00.03



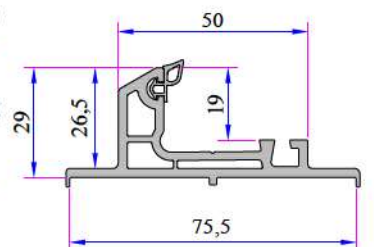
332 Frame Profile
P.A.332.1000.600.0.00.03



332 Mullion Profile
P.A.332.3000.600.0.00.03

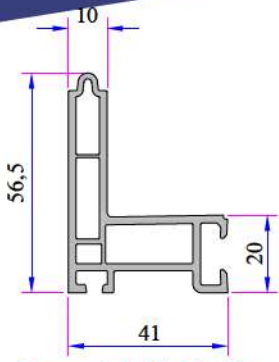


Sliding System Sash Profile
P.A.232.2300.600.0.00.03

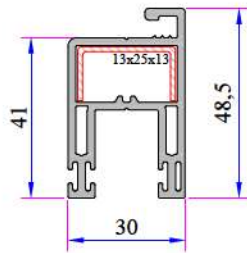


Double Rail Adaptor Profile
P.A.232.5800.600.0.00.03

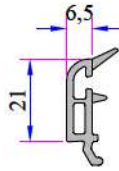
RAIL SERIES PVC PROFILE SYSTEM



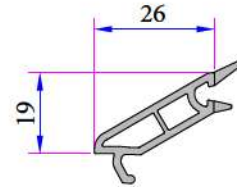
Screen Adaptör Profile
P.A.232.5802.600.0.00.19



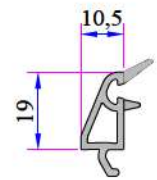
Fly-Screen Sash Profile
P.A.242.2305.600.0.00.03



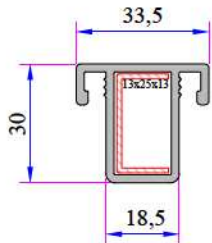
Double Glazing Bead
(24mm)
P.A.532.4500.600.0.HC



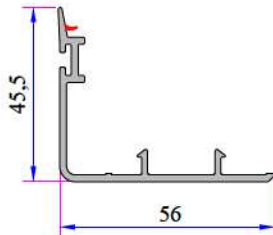
Single Glazing Bead
(4mm)
P.A.332.4000.600.0.HC



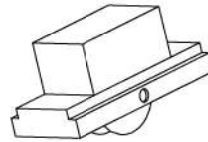
Double Glazing Bead
(20mm)
P.A.332.4100.600.0.HC



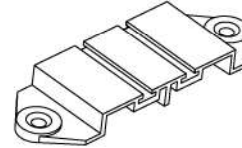
Fly-Screen Mullion Profile
P.A.242.3200.600.0.00.03



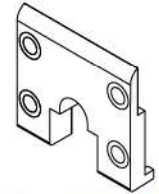
Sash Cover Profile
P.A.222.8700.600



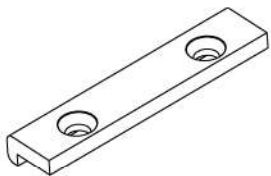
Sliding Roller Plastic
34009-17010



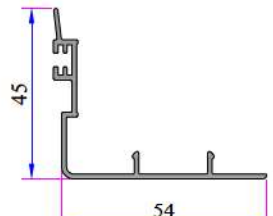
Sealing Bit Single Rail
34009-26020



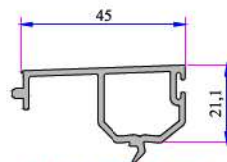
Sliding Sash End Bit
34009-46010



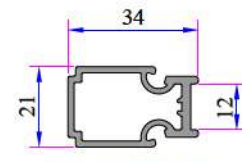
Upper bedding Piece for
Sliding Rail
34009-36010



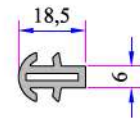
Alm. Sash Cover Profile
16051.601.5.11.9016



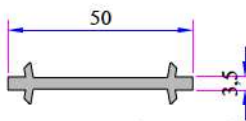
PVC Cover Profile
P.A.232.5702.600



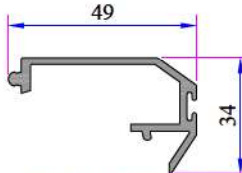
Alm. Double Rail
Adaptor Profile
AD16-011 (White)



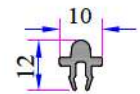
Short Coupling Profile
P.A.099.5003.600



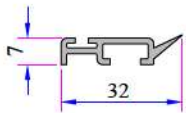
Narrow Coupling Profile
P.A.050.5001.600



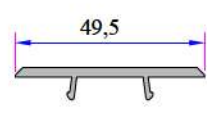
Alm. Cover Profile
16013.601.5.2.0.0000



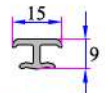
Alm. Sliding Rail Profile
16014.601.5.0.0.0000



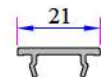
Lap Strip Profile
P.A.232.5301.600



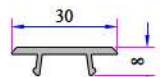
PVC Sash Cover Profile
P.A.232.5704.600



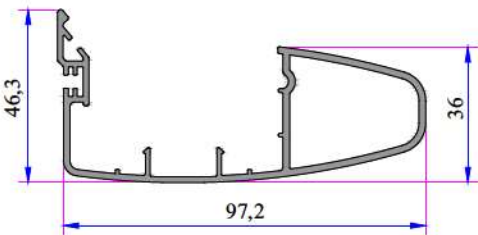
Universal Short Coupling Profile
P.A.099.5704



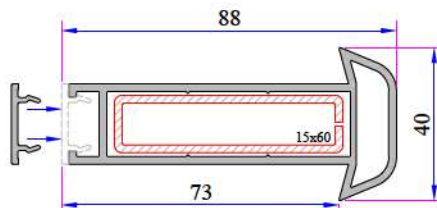
Universal Large Coupling
Cover Profile
P.A.058.5707.600.0.00.19



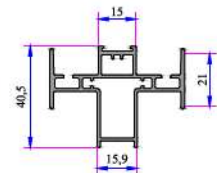
Screen Sash
Cover Profile
P.A.242.5701.600



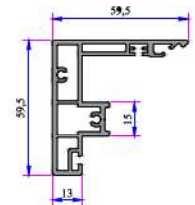
Sash Cover Grillage Profile
16028.601.5.2.0.0000



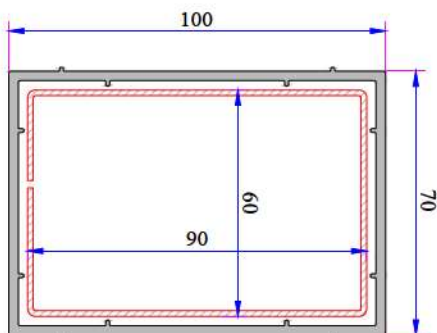
Universal Large Coupling Profile
P.A.058.5000.600.0.19



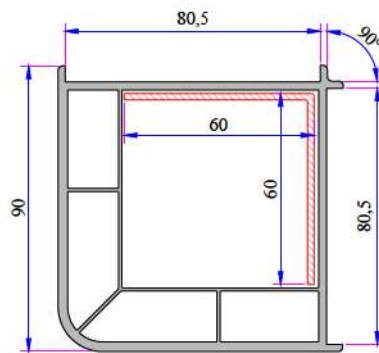
With Alum. Lug
Double Sash Middle
Adaptor (In Process)



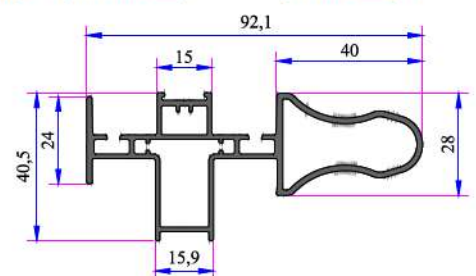
Alum. Sliding Mullion
with Three Chambered
(In Process)



Box Profile (70x100)
P.A.070.5202.600.0.00.19



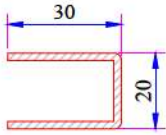
90° Corner Profile
P.A.080.5100.600.0.00.19
(White)



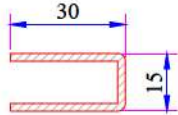
With Alum. Grillage Double Sash
Middle Adaptor (In Process)

RAIL SERIES PVC PROFILE SYSTEM

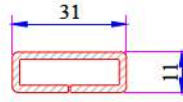
Rail Re-Inforcement Profiles



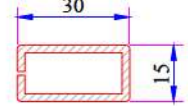
Double Rail Frame Profile Reinforcement
34022-12006



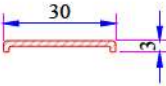
Frame Profile with Sill - Frame Profile with Flat Sill Reinforcement
34022-12034



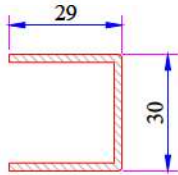
Frame With Fly-Screen & Sill Reinforcement
34022-12107



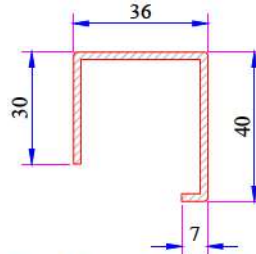
Frame Profile (Single Rail) - Frame Profile With Sill (Single Rail) Reinforcement
34022-12125



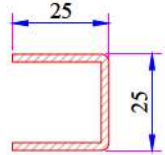
Frame Profile (Single Rail) - Frame Profile With Sill (Single Rail) Reinforcement
34022-12035



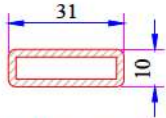
Sliding System Sash Profile Reinforcement
34022-12002



Sliding System Sash Profile (Static) Reinforcement
34022-12036



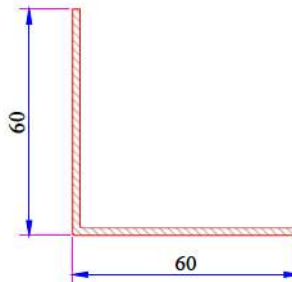
332 Frame - Mullion Profile Reinforcement
34022-12003



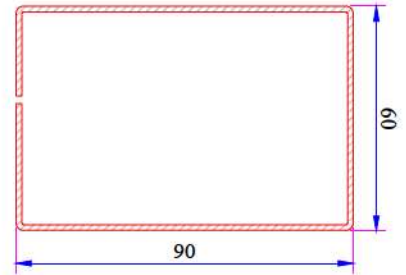
Frame With Internal Fly-Screen Reinforcement
34022-12107



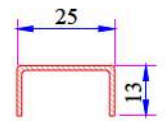
Universal Large Coupling Profile Reinforcement
34022-12123



90° Corner Profile Reinforcement
34022-12306

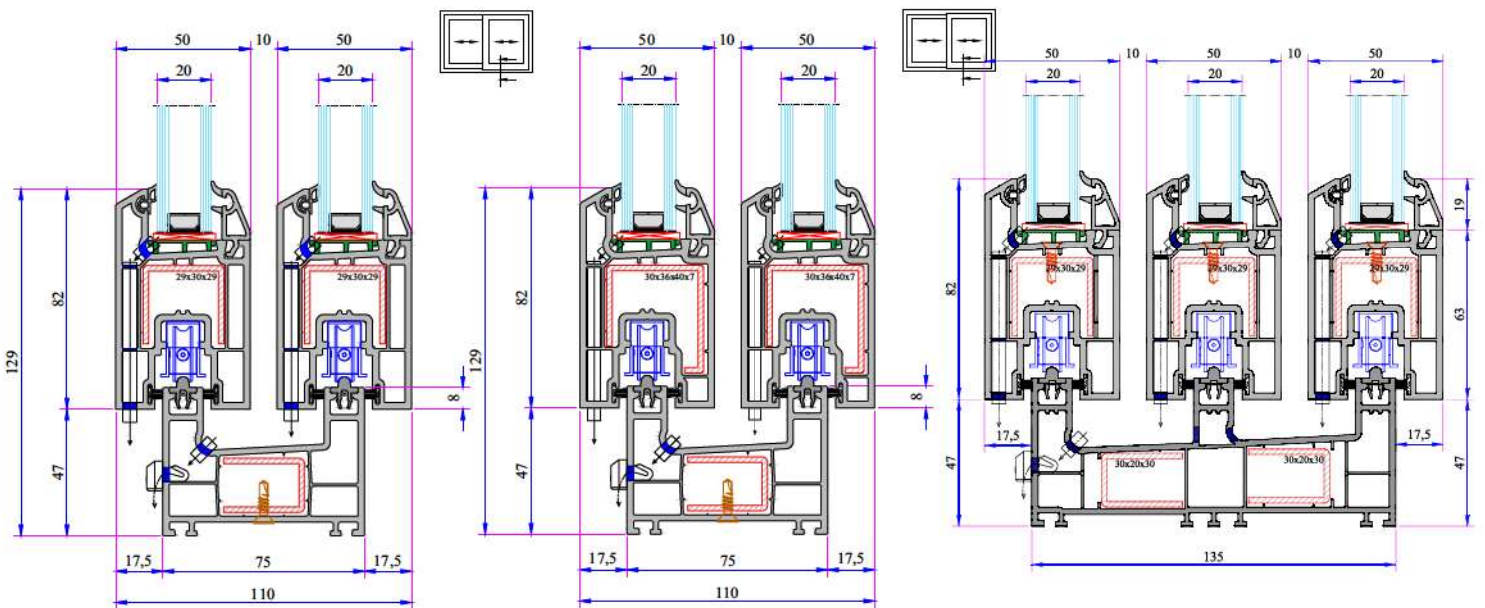


Box Profile Reinforcement
34022-12121



Fly-Screen Sash - Fly-Screen Mullion Profile Reinforcement
34022-12008

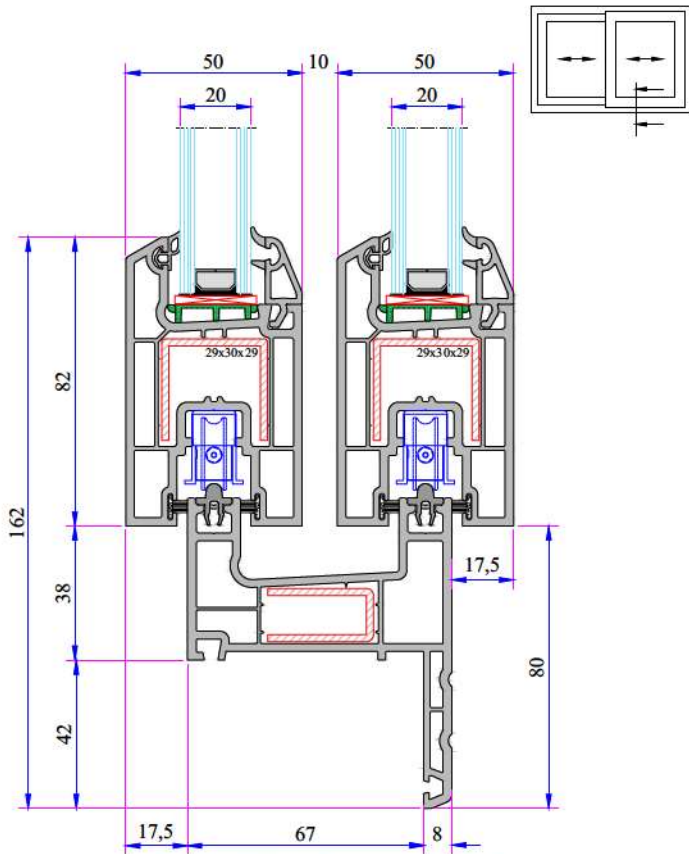
Rail Installation



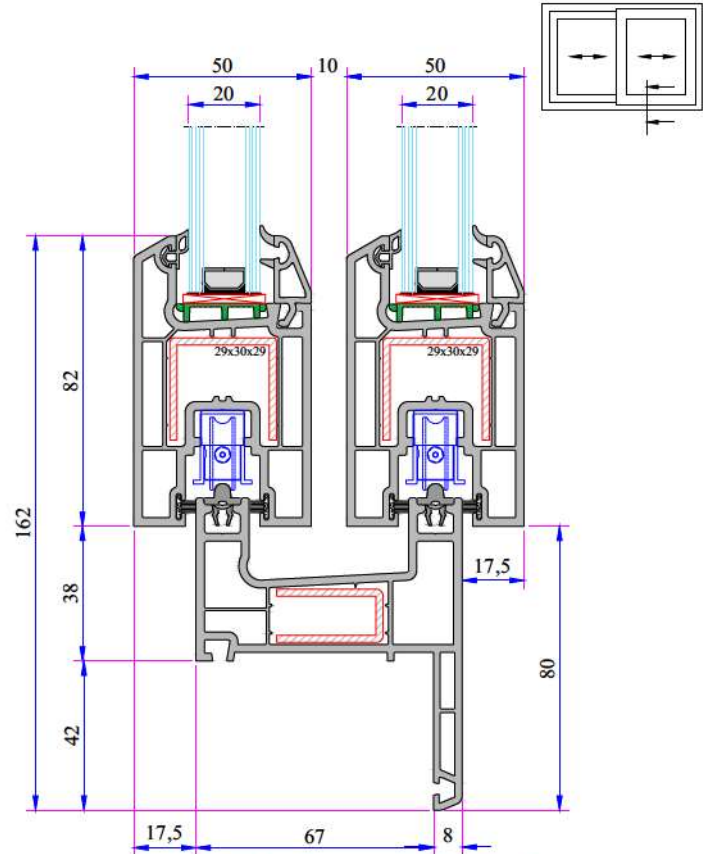
Sliding Frame Sash Double Rail Installation

Sliding Frame Static Sash Double Rail Installation

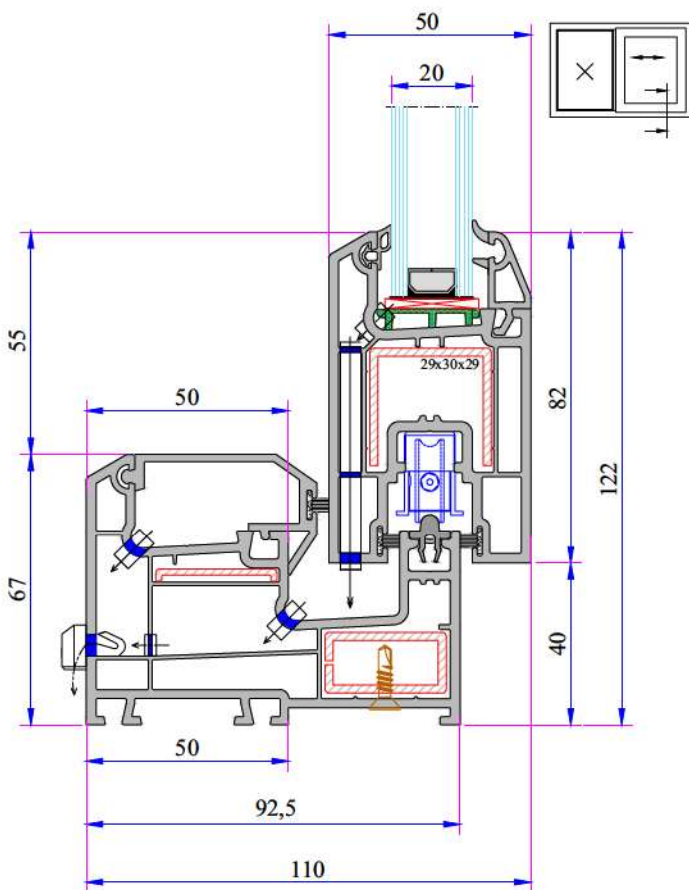
Frame Profile (Triple Rail) - Sliding System Sash Profile Installation



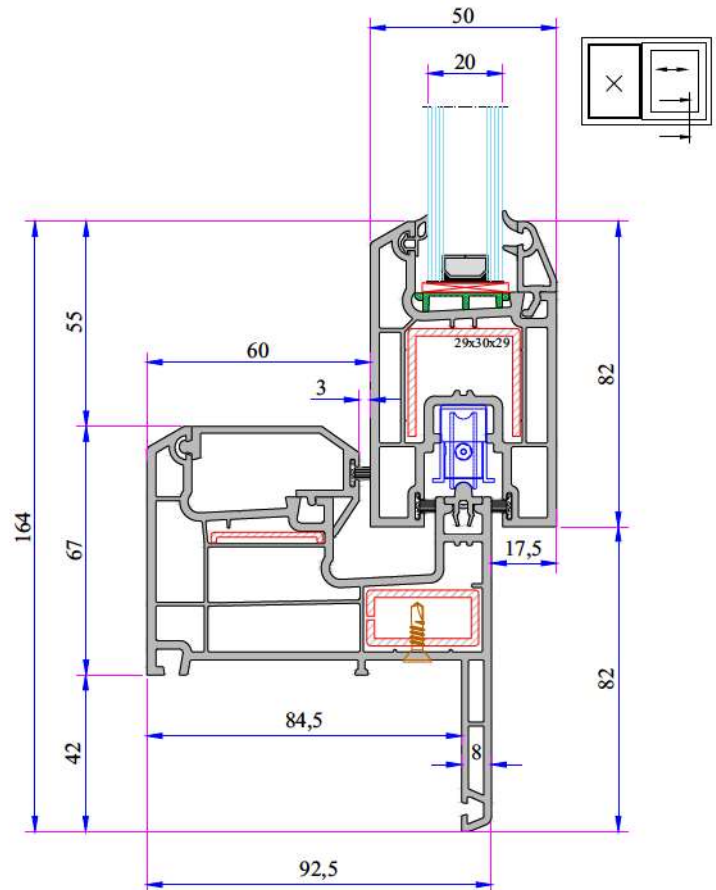
Double Sliding Frame with Sill - Sash Installation



Double Sliding Frame with Flat Sill - Sash Installation

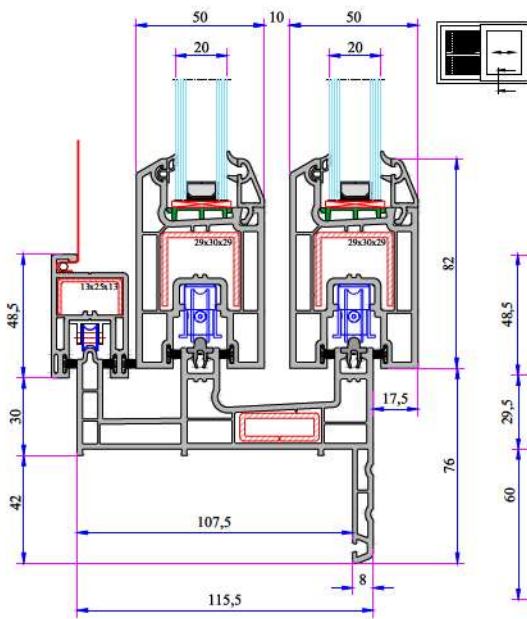


Sliding Frame Sash Single Rail Installation

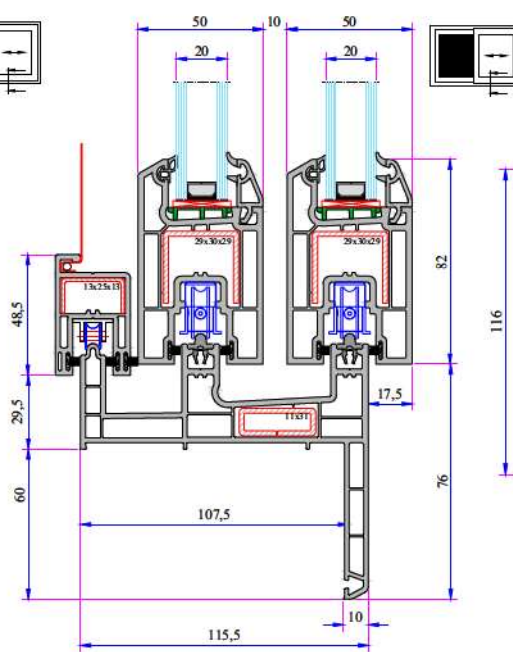


Frame Profile With Sill (Single Rail) Sash Installation

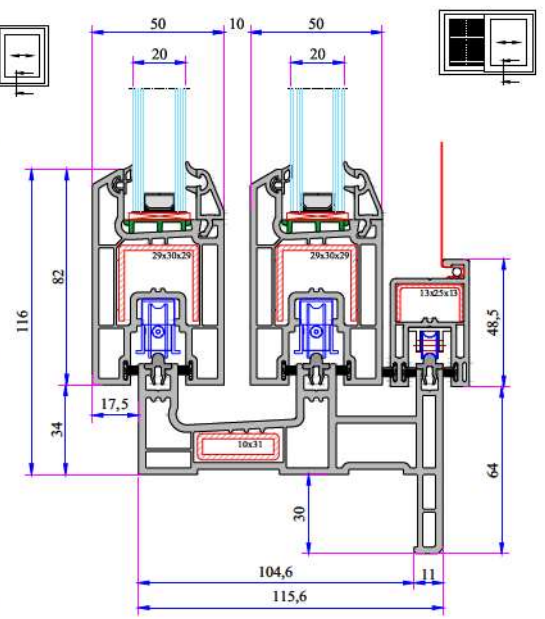
RAIL SERIES PVC PROFILE SYSTEM



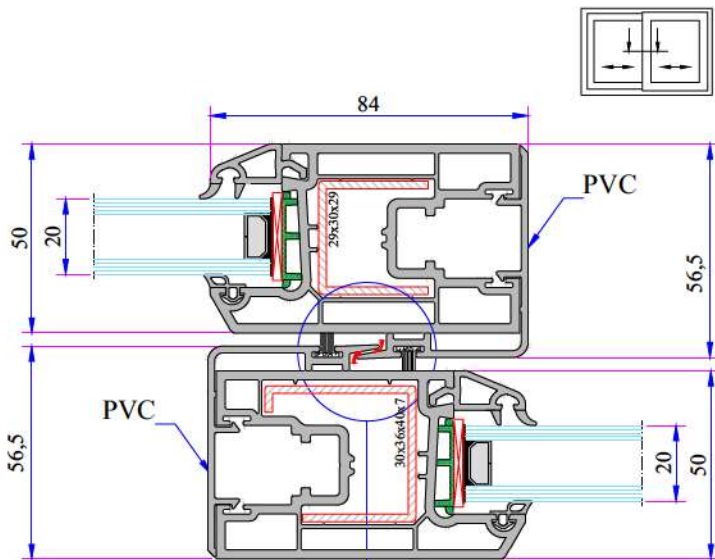
Sliding Frame - Sash - Screen - Sash Installation



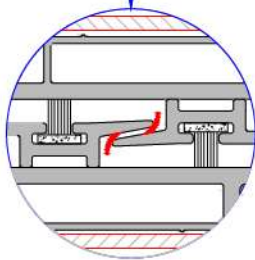
Sliding Frame - Sash - Screen - Sash Installation



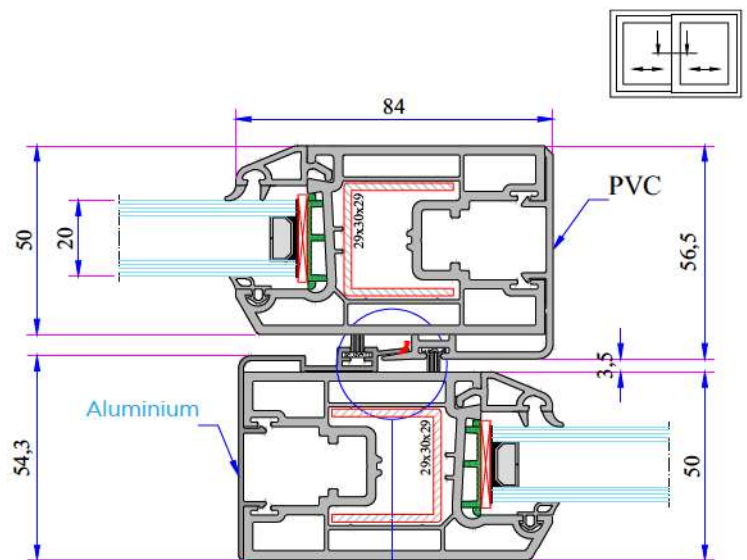
Sliding Frame - Sash - Screen - Sash Installation



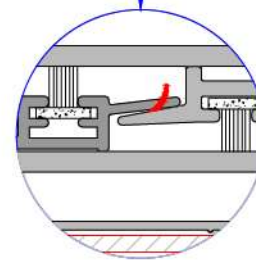
Alternative 1



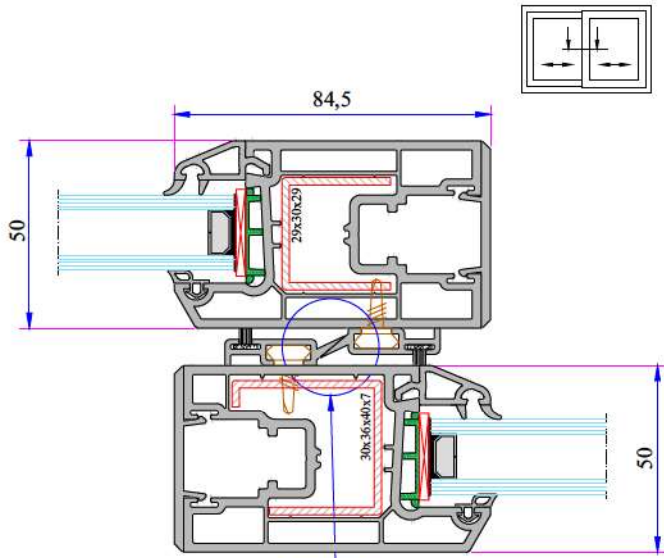
PVC Sash Cover Profile Installation



Alternative 2

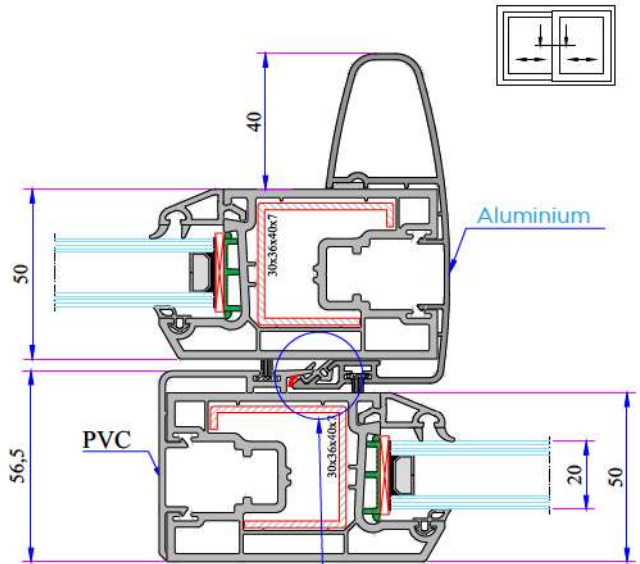
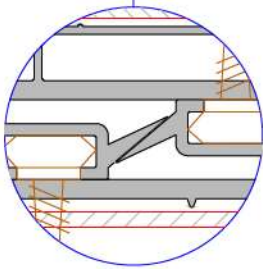


PVC vs Aluminium Sash Installation Detail



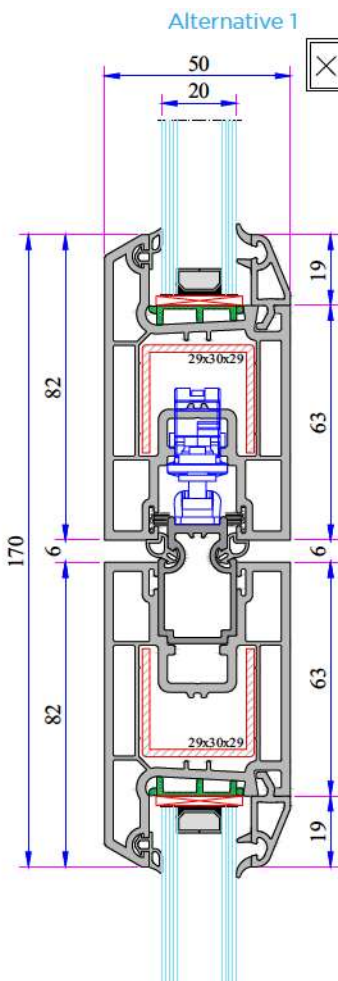
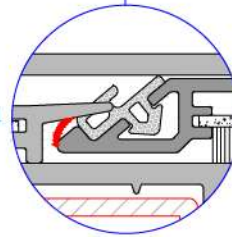
Alternative 3

PVC Sash Cover and Lap Strip Profile Installation

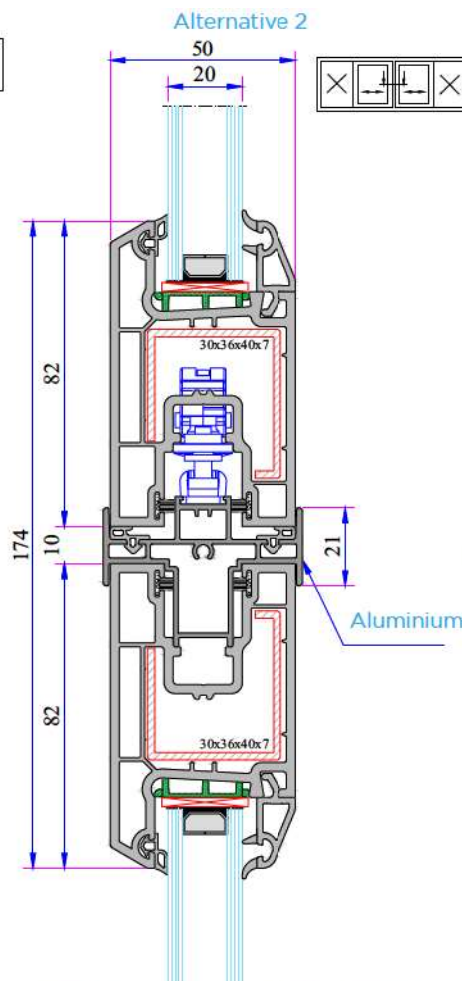


Alternative 4

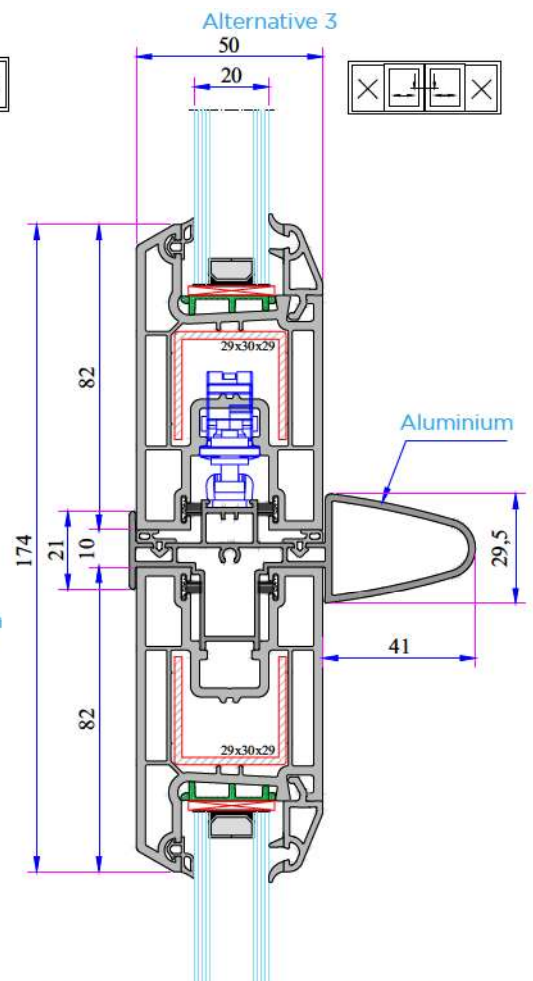
Alm. Sash Cover Grillage Profile Installation



Alum. Double Rail Adaptor Installation
Four Sash Middle Profile)

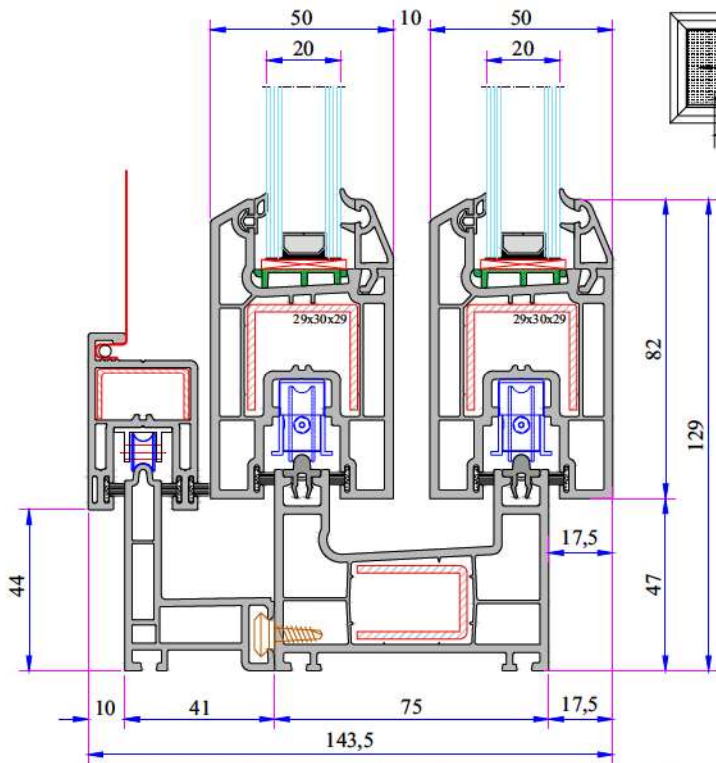


With Alum. Lug Double Sash Middle
Adaptor Installation (Four Sash Middle
Profile)

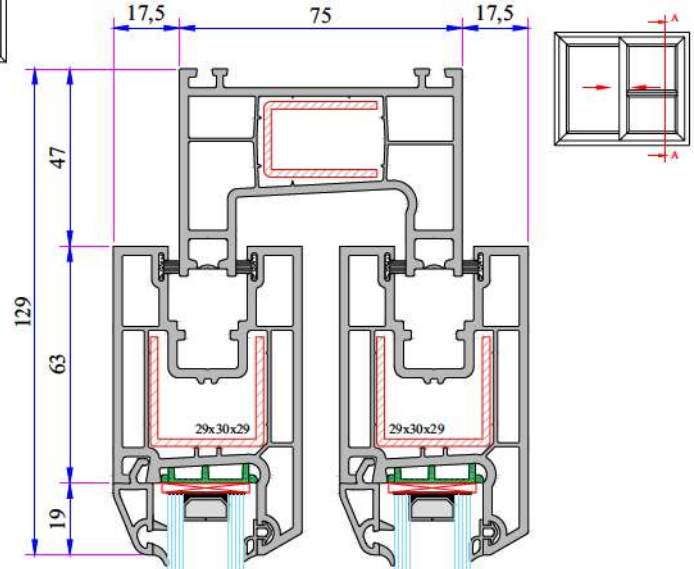


With Alum. Grillage Double Sash Middle
Adaptor Installation (Four Sash Middle
Profile)

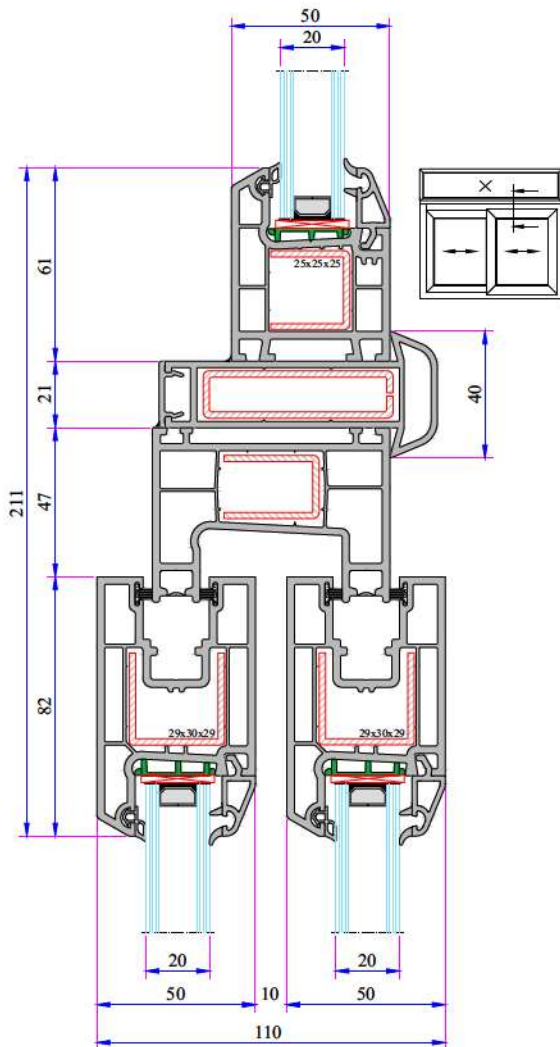
RAIL SERIES PVC PROFILE SYSTEM



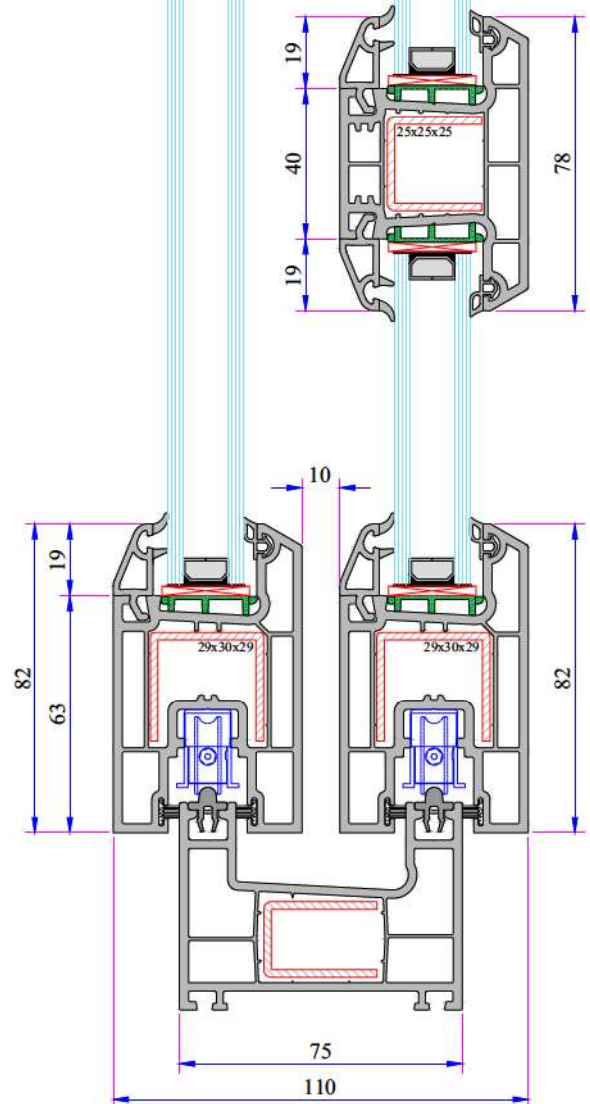
Double Railed Sliding Sash - Sliding Sash -
Screen Profile Installation

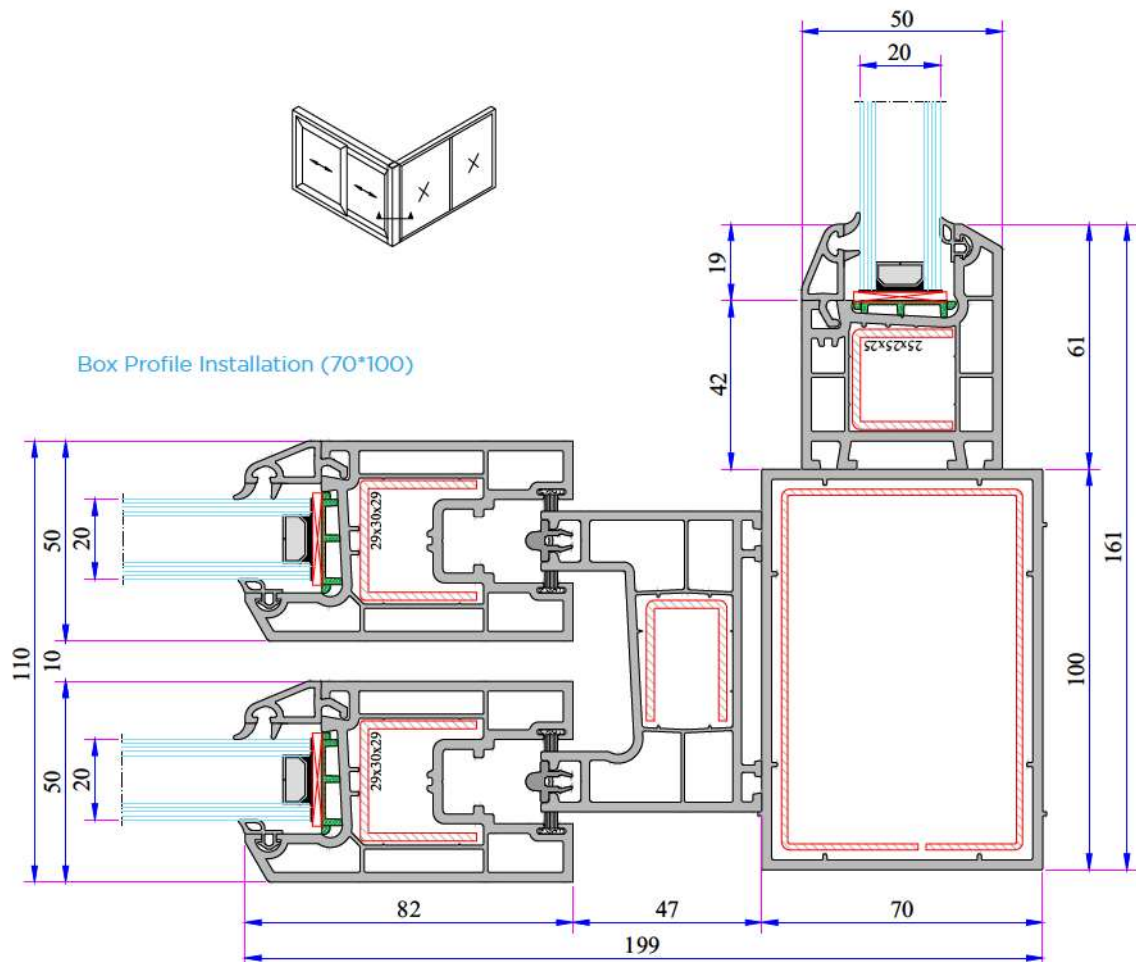
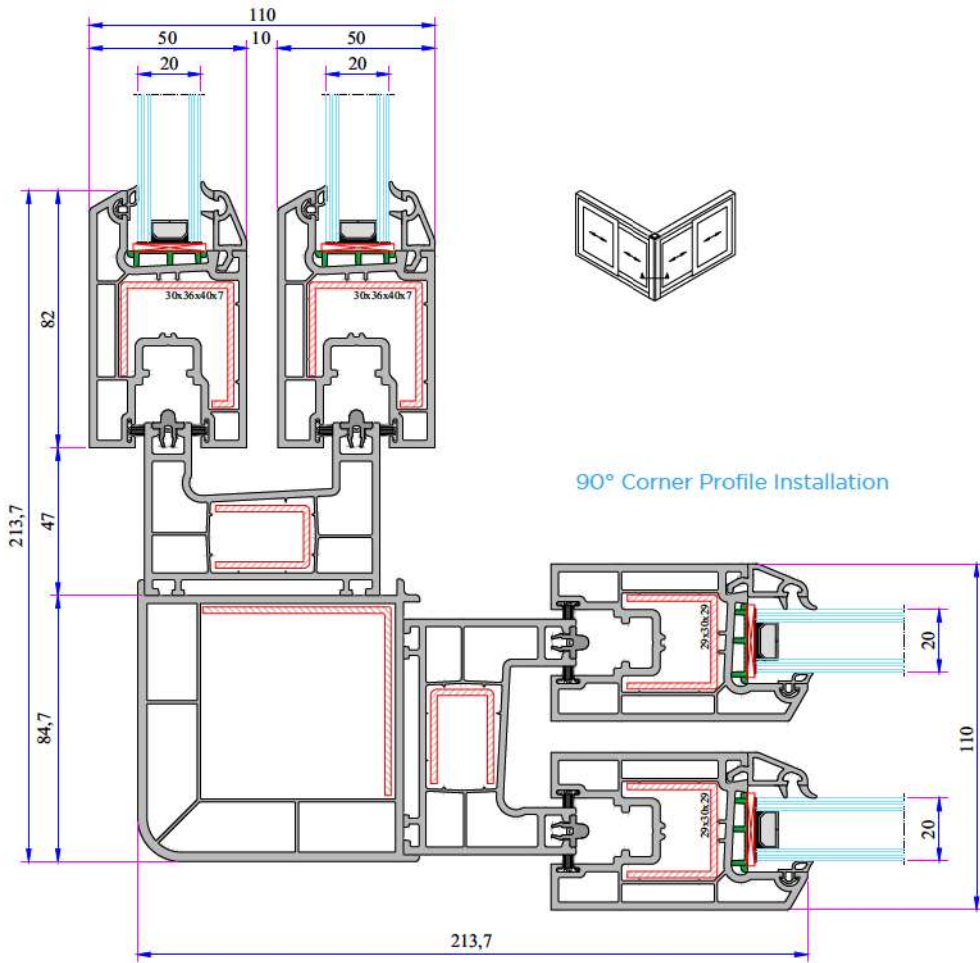


Mullion Profile Installation

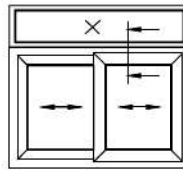
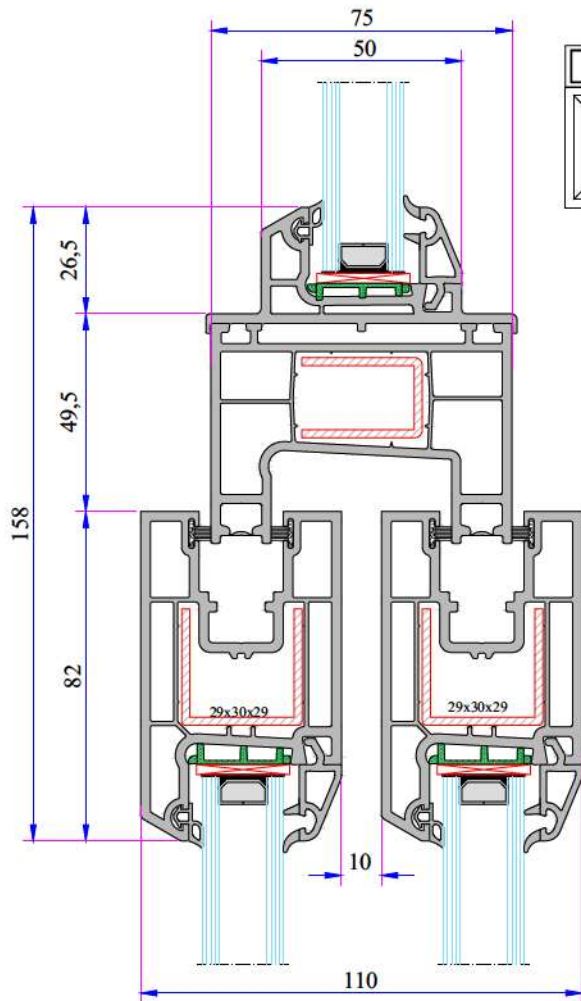


Universal Large Coupling Profile Installation

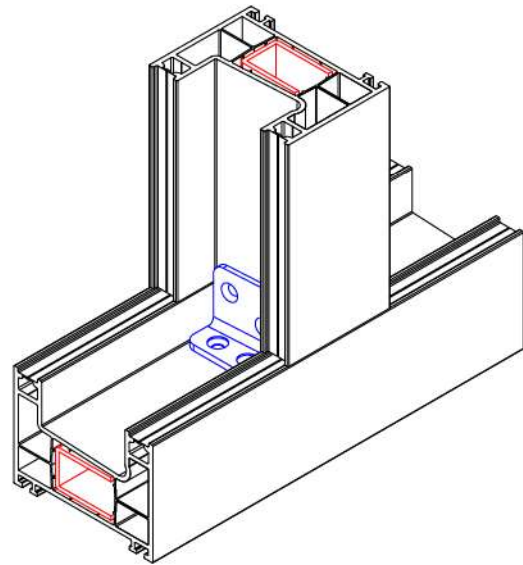




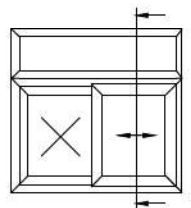
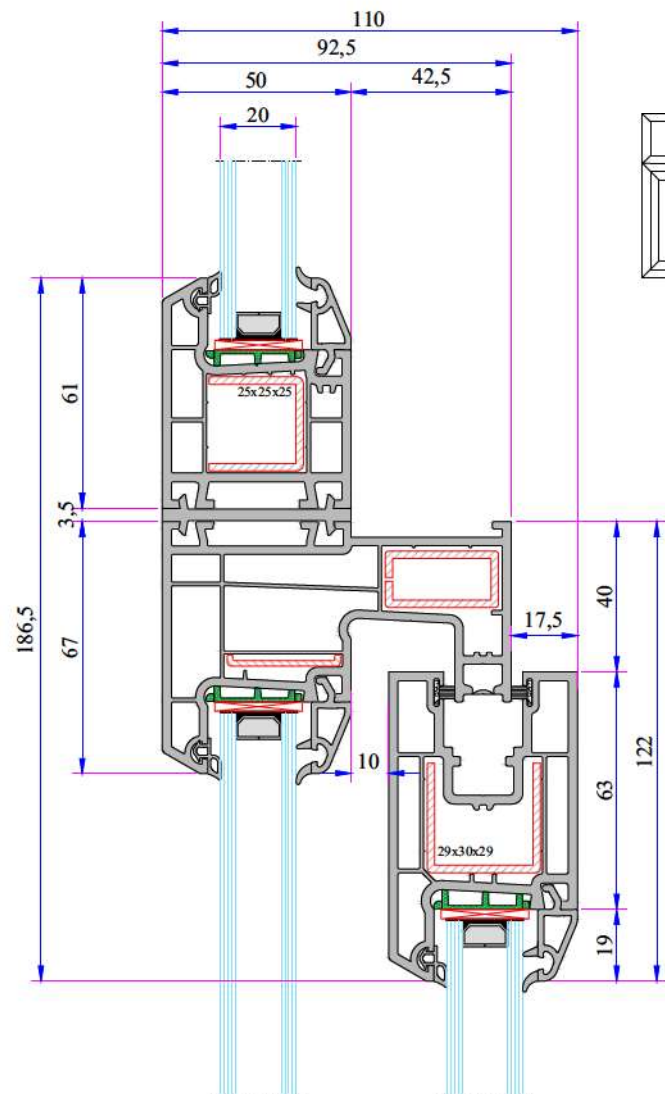
RAIL SERIES PVC PROFILE SYSTEM



Upper Fixed Lower Part Double Railed Sliding Installation



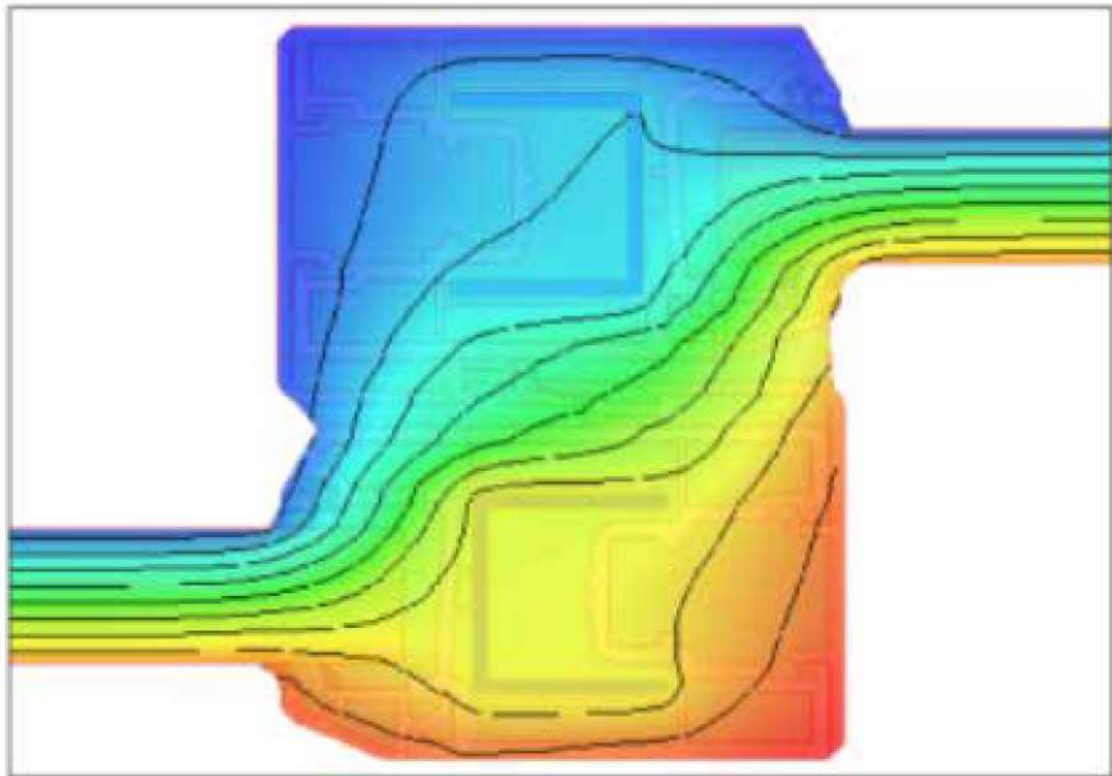
Upper Fixed Lower Part Single Railed Sliding Installation



Project name:	232 Sürme Seri		
	Kanat- Kanat Uf		
Transmittance (Uf):	1.8012 W/m ² K	Internal T:	20.00 °C
Conductance (Lf2D):	0.6634 W/mK	External T:	0.00 °C
Frame length (Bf):	83.74 mm		



Thermal transmittance (Uf) computation performed in accordance with EN ISO 10077-2:2012



Node details

<i>Primitives used for finite element simulation:</i>	27408
<i>Frame width (Bf):</i>	83.74 mm
<i>Visible insulation panel width (Bp):</i>	380.01 mm
<i>Insulation panel thickness (Dp):</i>	-

External boundary conditions:

<i>Temperature:</i>	0.00 °C
<i>Surface resistance:</i>	0.040 m ² K/W

Internal boundary conditions:

<i>Temperature:</i>	20.00 °C
<i>Surface resistance:</i>	0.130 m ² K/W
<i>Humidity:</i>	65.00 %

Results computed in accordance with EN ISO 10077-2:2012

<i>Internal/external temperature difference:</i>	20.00 °C
<i>2D conductance (Lf2D):</i>	0.6634 W/mK
<i>Transmittance (Uf):</i>	1.8012 W/m²K





FACTORY

Antalya Organize Sanayi Bölgesi 2.Kısım Mah. 21.Cadde No:3

07040 Döşemealtı / ANTALYA / TURKEY

Tel : +90 242 236 20 00 · Faks : +90 242 236 20 90 · Email : info@adowin.com.tr

