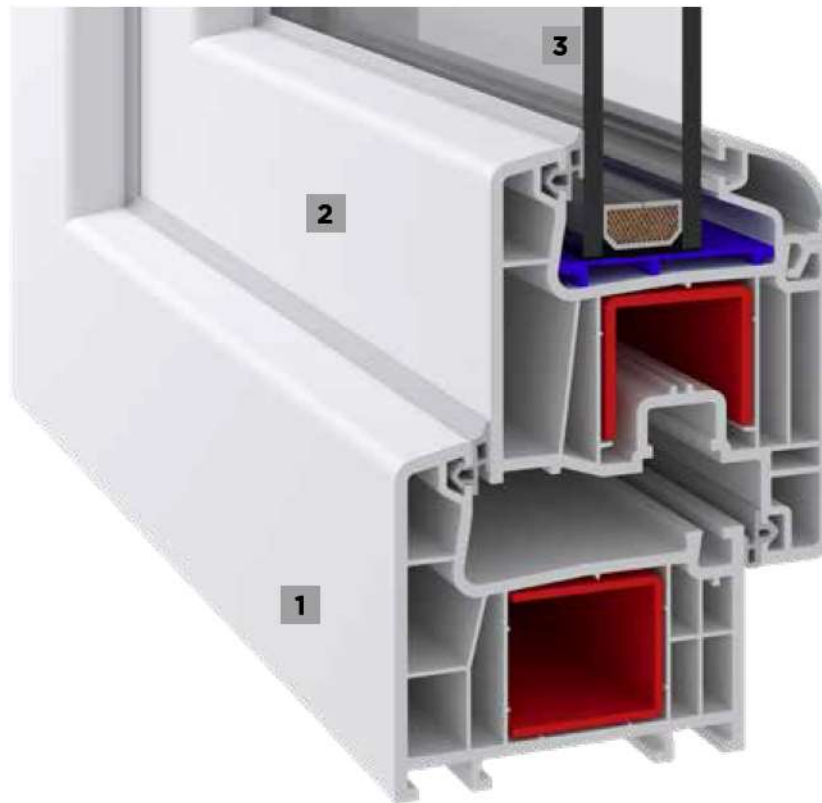


 **ADOWIN[®]**

**70 SERIES
PVC PROFILE SYSTEMS**



TECHNIC

70 SERIES

Profile Width: 70 mm

Number of chambers: 5

Profile Class: W 752 A Class (TS EN 12608-1) / RAL 716-GZ
W 750 B Class (TS EN 12608-1)

Seal Type: External / Internal double seal system

Seal Type and Color: TPE - Grey /Black

Glass Thickness (mm): 4, 20, 24, 28, 32, 40, 42 mm

The thermal insulation Uf: 1,30 W/m²K

- 1** Frame 5 chambers system.
- 2** Offset and flat sash option
- 3** Double and triple glass option.

INSTRUCTION

- The main profiles have 70 mm width.
- Because of the elastic grey and black seal which does not leave any stain on profiles will be provided maximum air, water, dust and sound isolation.
- Due to the 5 chambers profiles, it has maximum performance for thermal, sound and water isolation.
- It is a series of profiles with very special design that provides maximum wind resistance on high rise buildings.
- Excluding normal sash profile, there is also chance to have a choice for offset type sash profile.
- In addition to white profile a different laminated color range is available.
- 4-5 mm single glazing application of 20, 24, 28, 32, 40, 42 mm glazing beads give us alternatives of using double, triple glazing and panels.
- It provides the visual integrity in the inner surface and the frame-wall connections due to integrated frame with sill profile.

LAMINATED COLORS



GOLDEN OAK
ST 500



DARK OAK
ST 501



SWAMP OAK
ST 503



LIGHT OAK
ST 515



GREY SAND
AS 509



GREY
ST 507



ANT. GREY
ST 508



ANT. GREY
AS 508

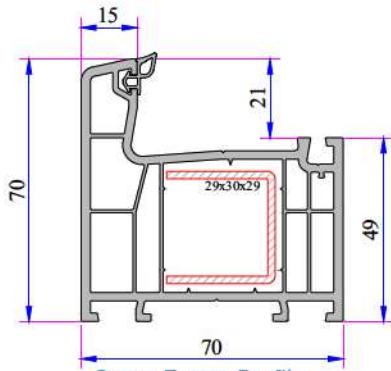


MAHOGANY
ST 504

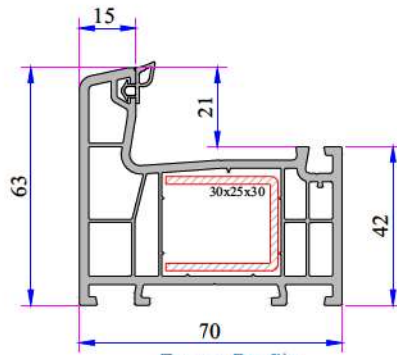


CREAM
AS 057

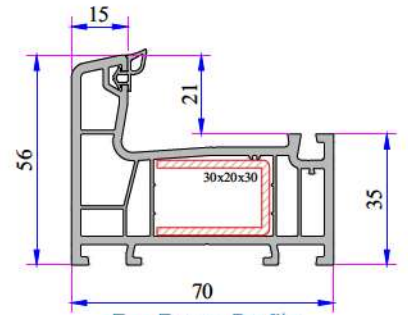
70 SERIES PVC PROFILE SYSTEM



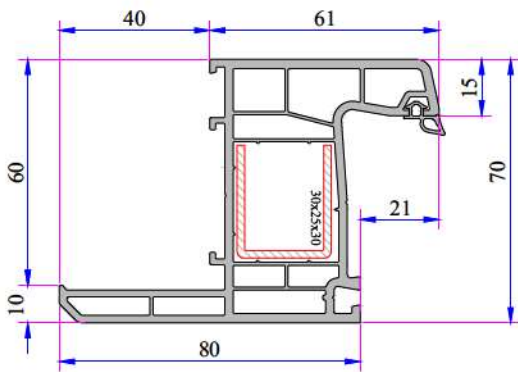
Super Frame Profile
P.A.750.1001.600.0.BC.03



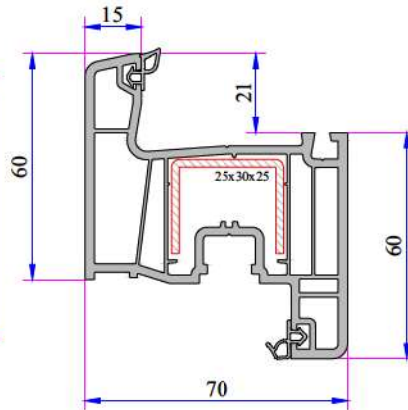
Frame Profile
P.A.750.1000.600.0.BC.03



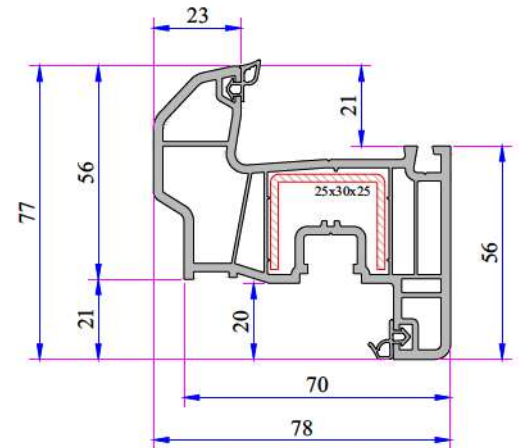
Eco Frame Profile
P.A.750.1003.600.0.BC.03



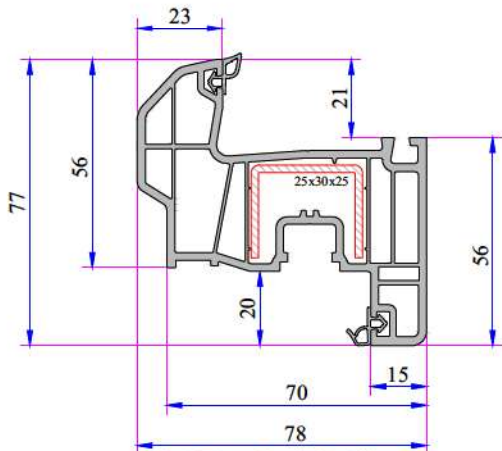
Frame Profile With Sill
P.A.750.1200.600.0.BC.03



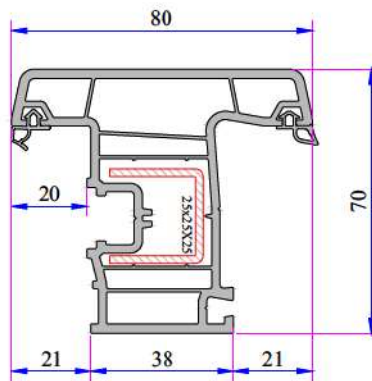
Sash Profile
P.A.750.2000.600.0.BC.03



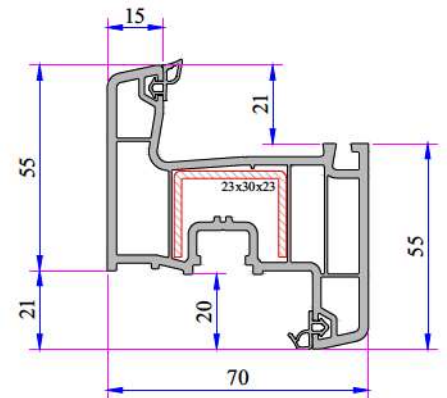
Offset Type Sash Profile
P.A.750.2200.600.0.BC.03



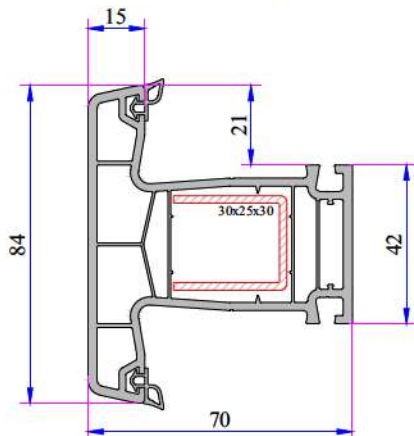
**Offset Type Sash Profile
(6 Chambers)**
P.A.750.2205.600.0.BC.03



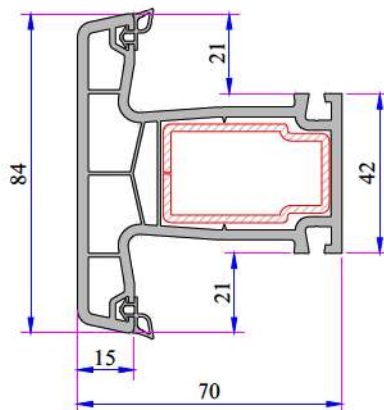
Outward Opening Sash Profile
P.A.750.2001.600.0.BC.03



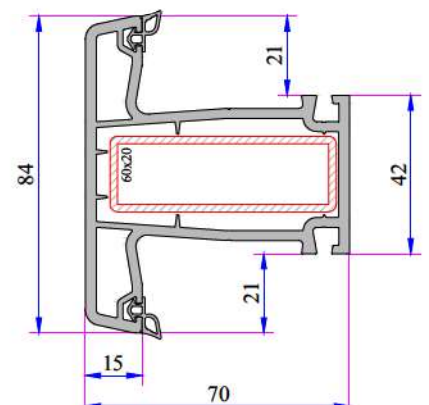
24 Axis Sash Profile
P.A.750.2003.600.0.BC.03



Mullion Profile
P.A.750.3000.600.0.BC.03

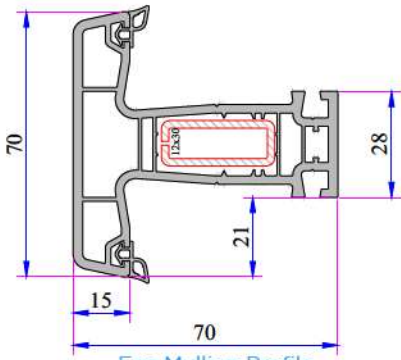


Static Mullion Profile
P.A.750.3007.600.0.BC.03

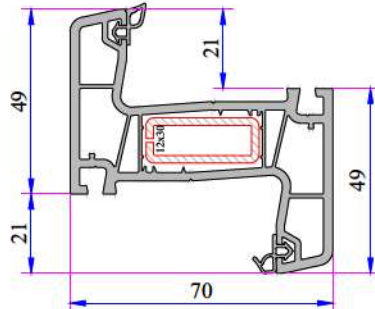


Super Static Mullion Profile
P.A.750.3009.600.0.BC.03

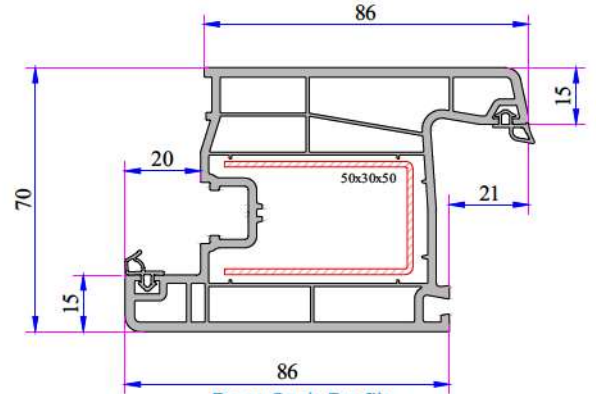
70 SERIES PVC PROFILE SYSTEM



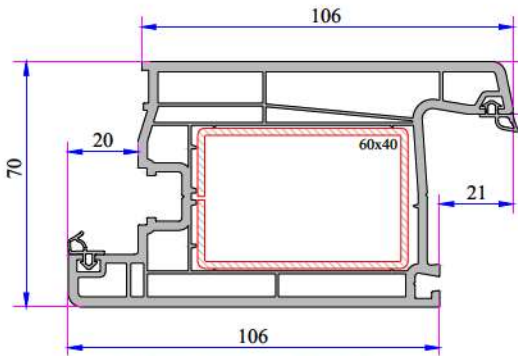
Eco Mullion Profile
P.A.750.3006.600.0.BC.03



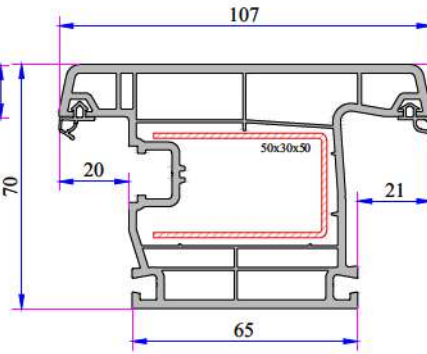
Outward Opening Mullion Profile
P.A.750.3005.600.0.BC.03



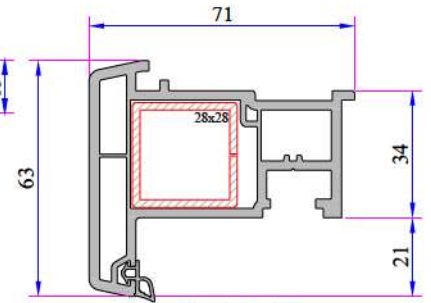
Door Sash Profile
P.A.750.2100.600.0.BC.03



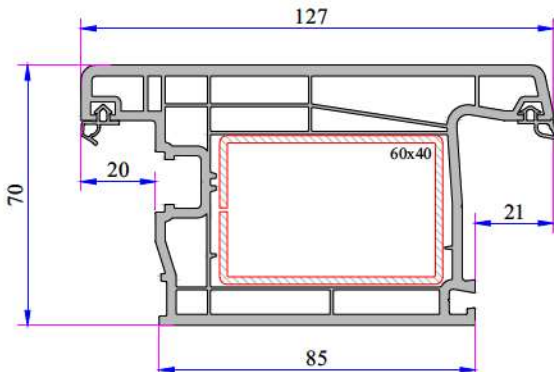
Super Door Sash Profile
P.A.750.2103.600.0.BC.03



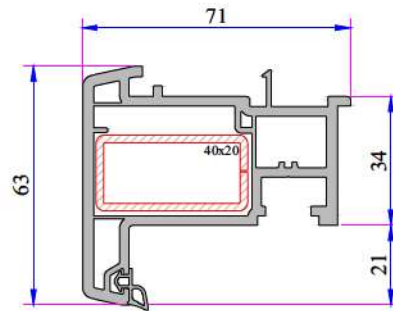
Outward Opening Door Sash Profile
P.A.750.2101.600.0.BC.03



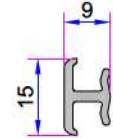
Lap Joint Profile
Code:
P.A.750.3100.600.0.BC.19



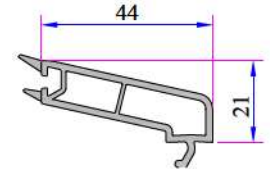
Outward Opening Super Door Sash Profile
P.A.752.2104.600.0.BC.03



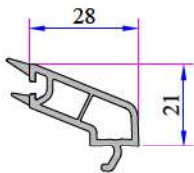
Static Lap Joint Profile (Spiked)
P.A.750.3101.600.0.BC.19



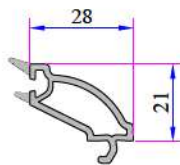
Universal Short Coupling Profile
099.5004



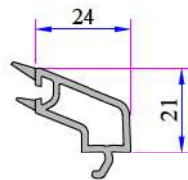
Single Glazing Bead 4-6 mm
P.A.750.4000.600.0.HC



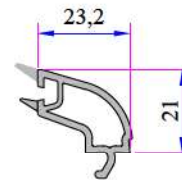
Double Glazing Bead 20 mm
P.A.750.4100.600.0.HC



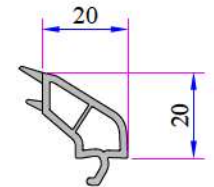
Decorative Double Glazing Bead 20 mm
P.A.750.4102.600.0.HC



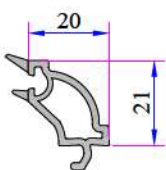
Double Glazing Bead 24 mm
P.A.750.4200.600.0.HC



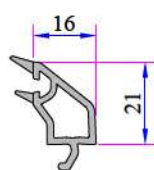
Decorative Double Glazing Bead 24 mm
P.A.750.4204.600.0.HC



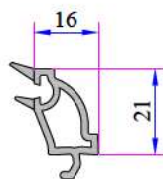
Double Glazing Bead 28 mm
Code:
P.A.101.4100.600.0.HC



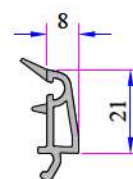
Decorative Double Glazing Bead 28 mm
P.A.101.4102.600.0.HC



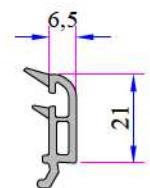
Triple Glazing Bead 32 mm
P.A.750.4500.600.0.HC



Decorative Triple Glazing Bead 32 mm
P.A.101.4202.600.0.HC

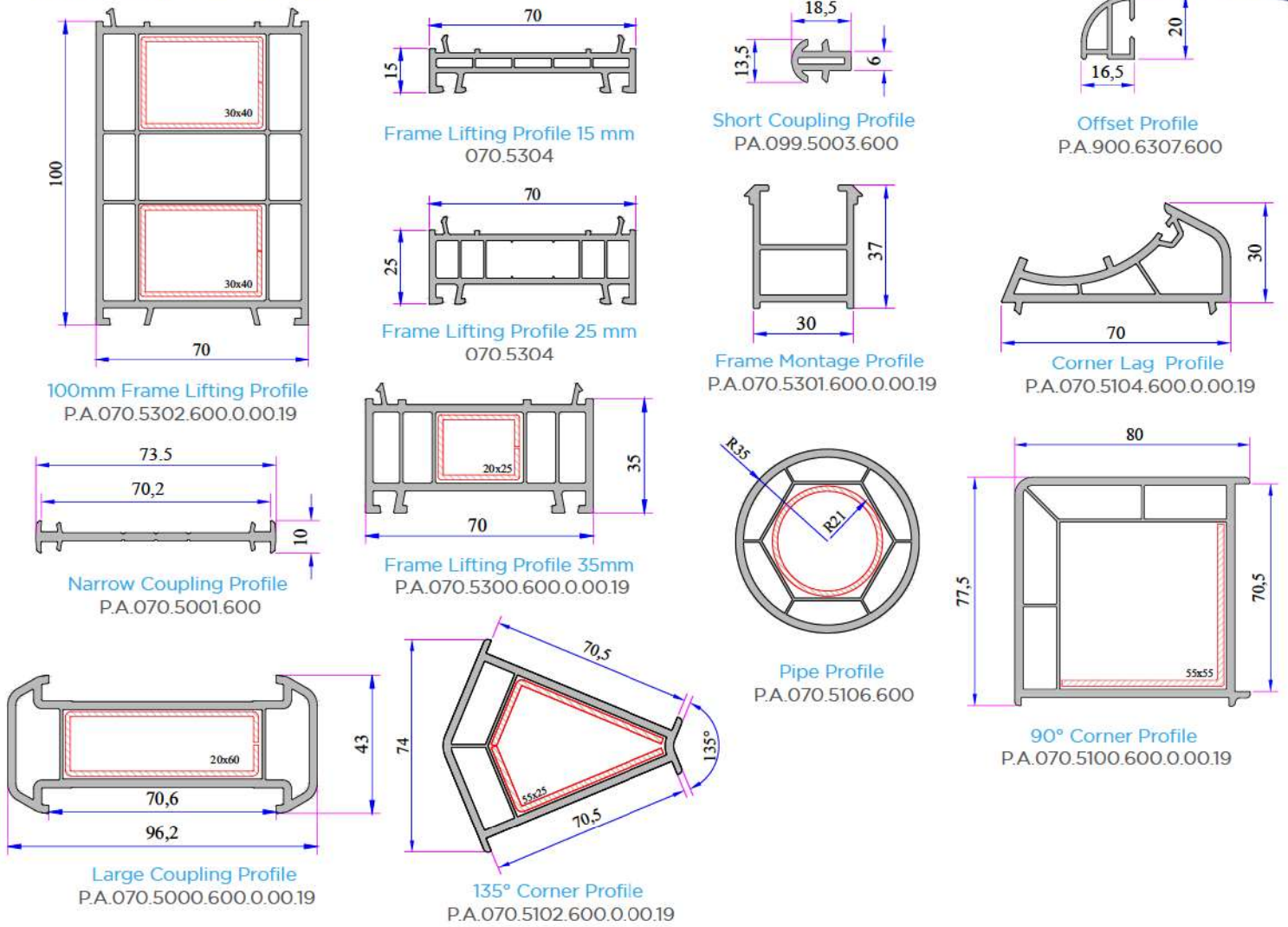


Triple Glazing Bead 40 mm
P.A.532.4400.600.0.HC

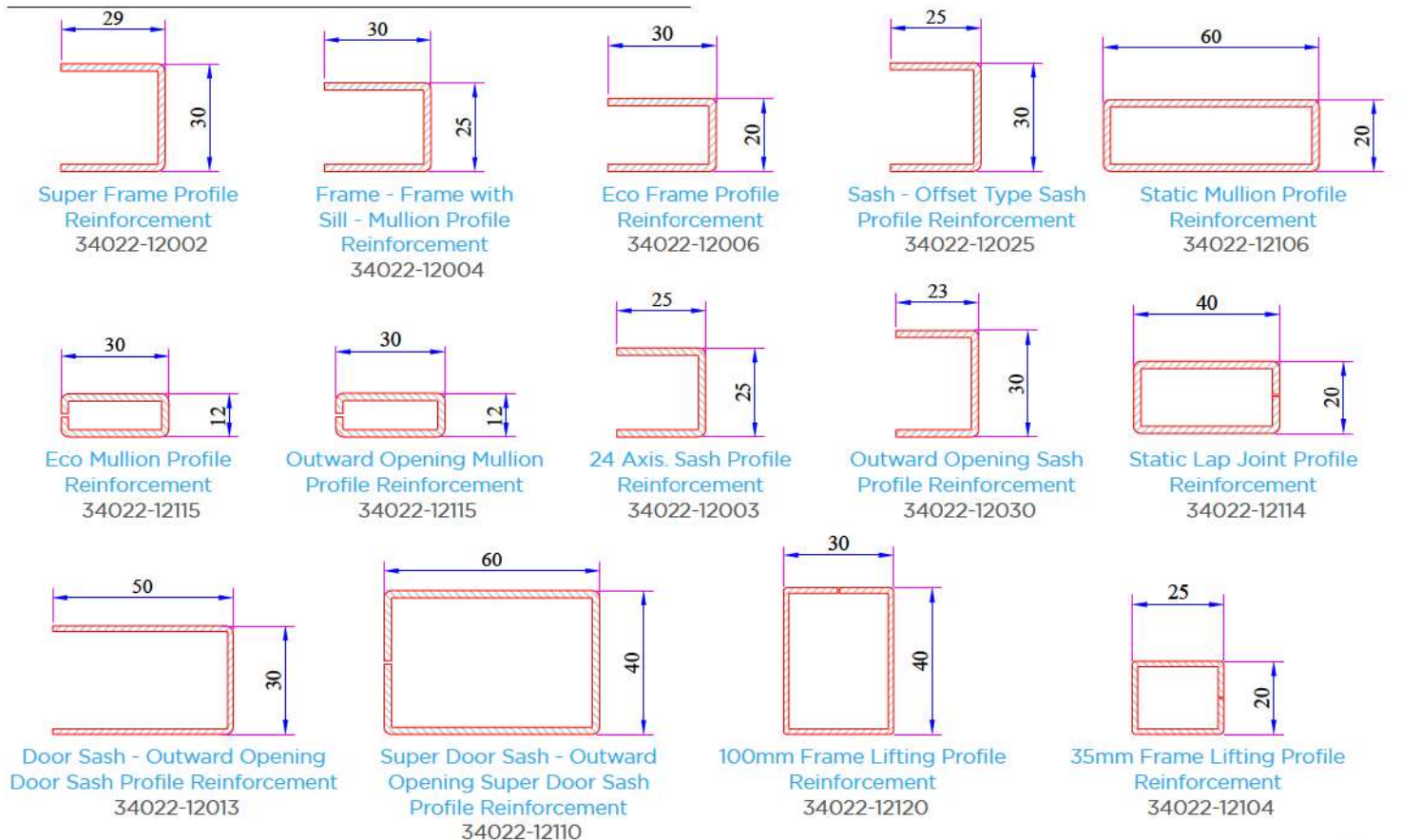


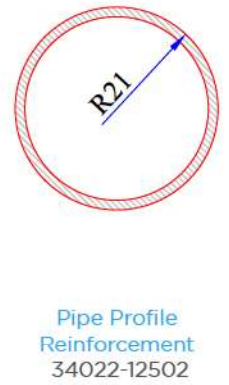
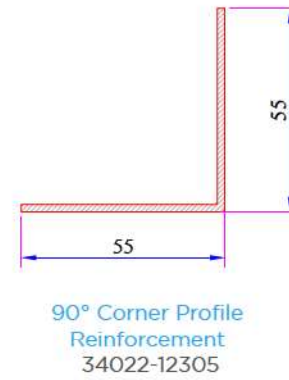
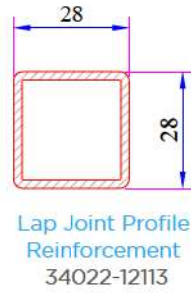
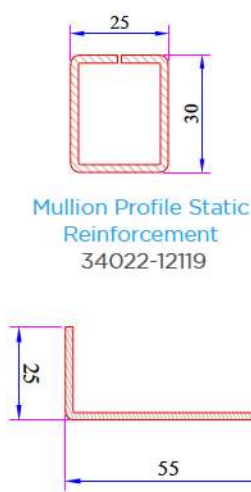
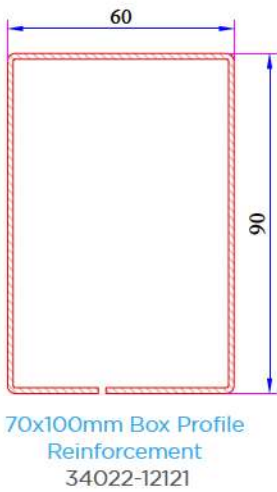
Triple Glazing Bead 42 mm
P.A.532.4500.600.0.HC

70 SERIES PVC PROFILE SYSTEM

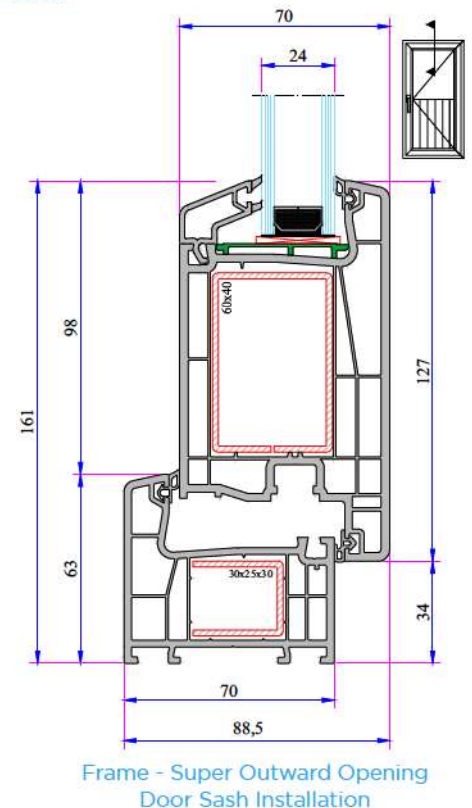
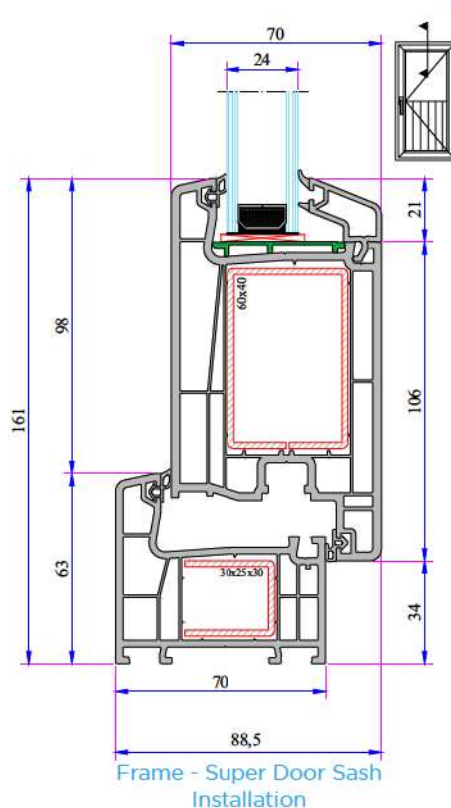
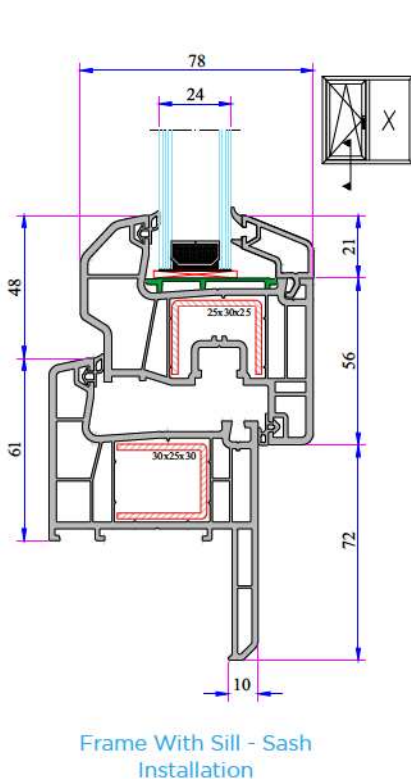
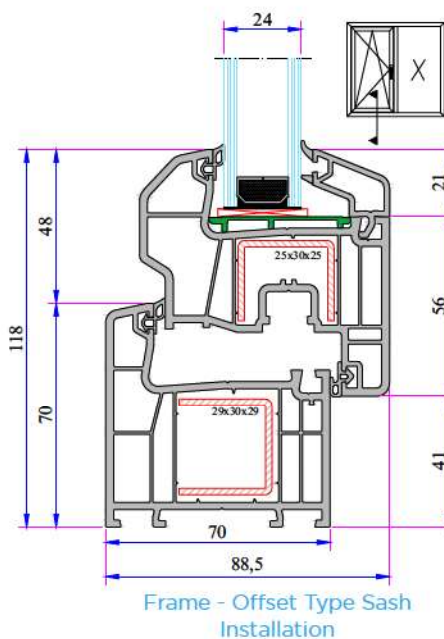
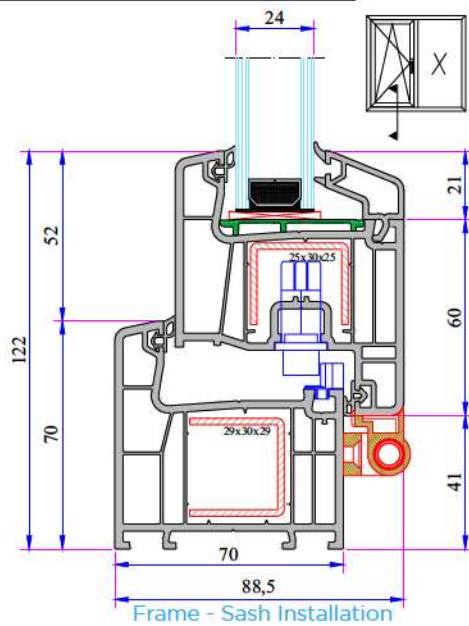


W 750 - 752 Re-Inforcement Profiles

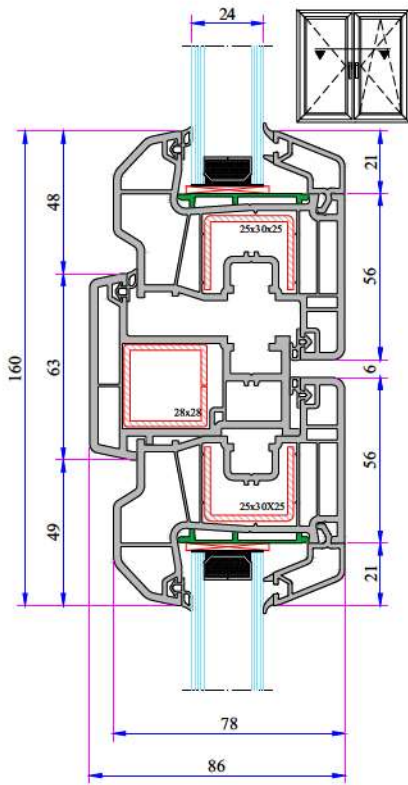




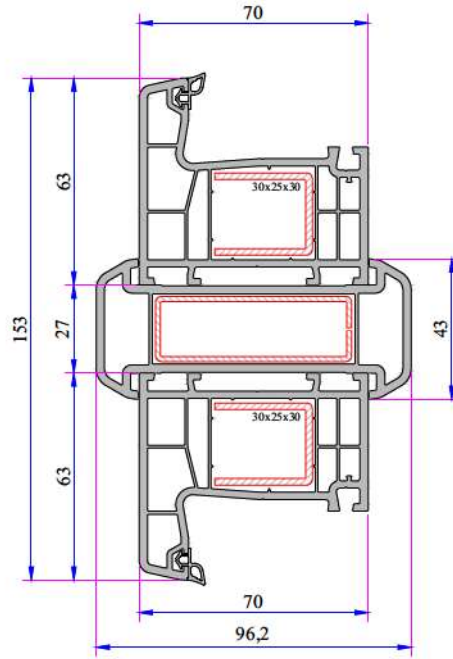
W 750 - 752 Installation



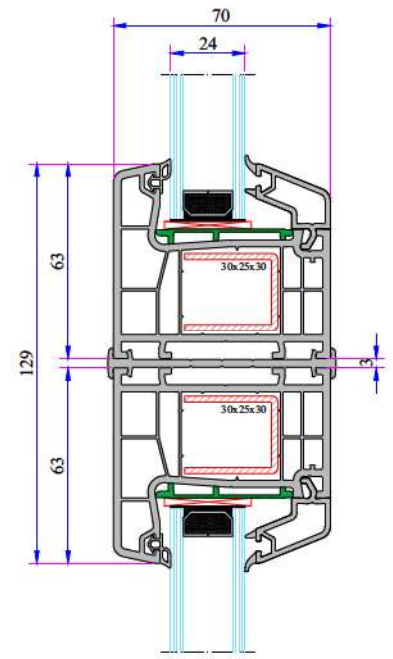
70 SERIES PVC PROFILE SYSTEM



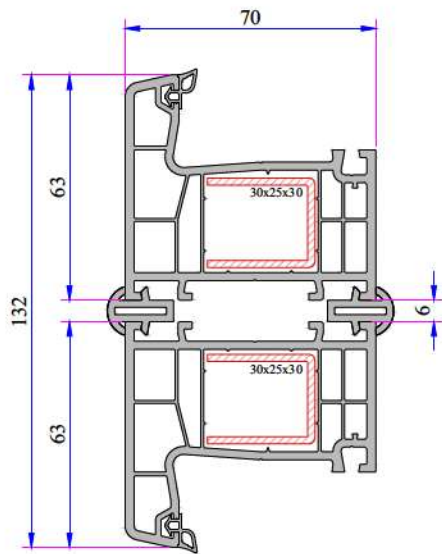
Sash - Lap Joint - Sash Profile Installation



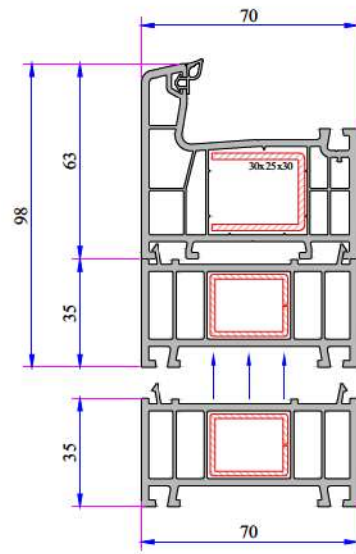
Large Coupling Profile Installation



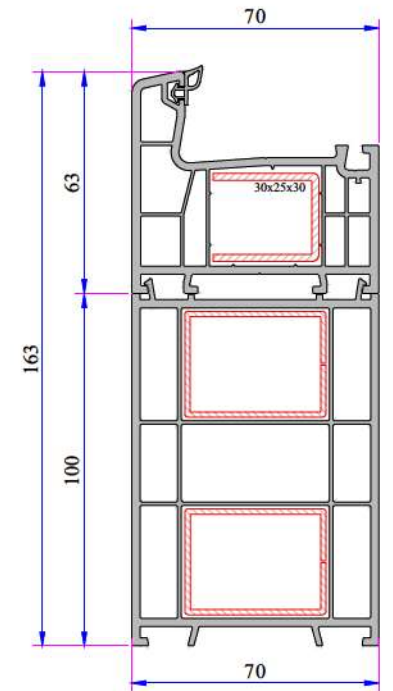
Narrow Coupling Profile Installation



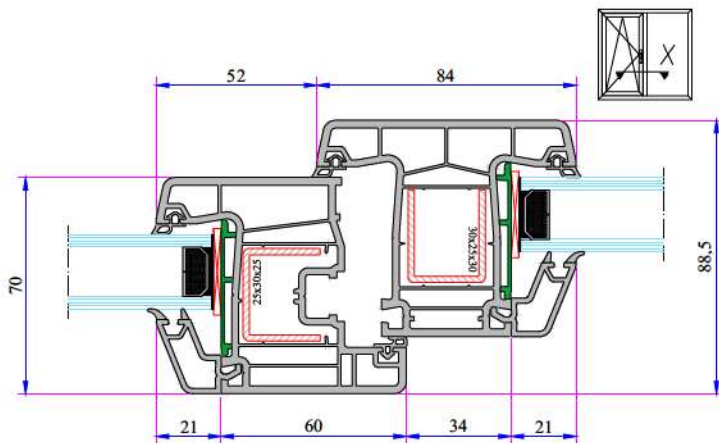
Short Coupling Profile Installation



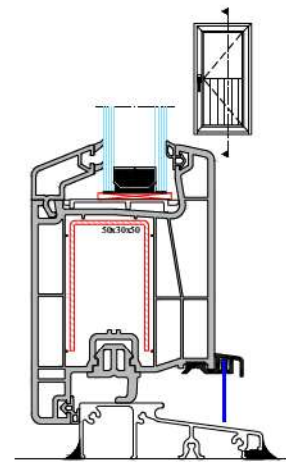
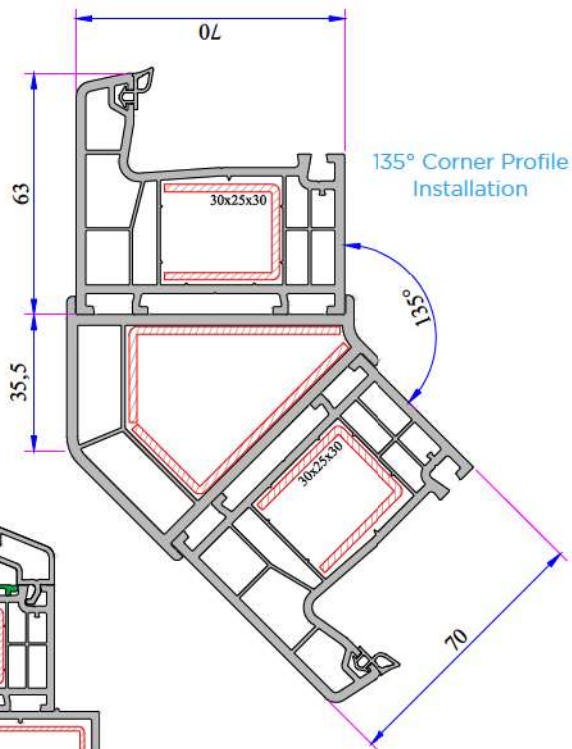
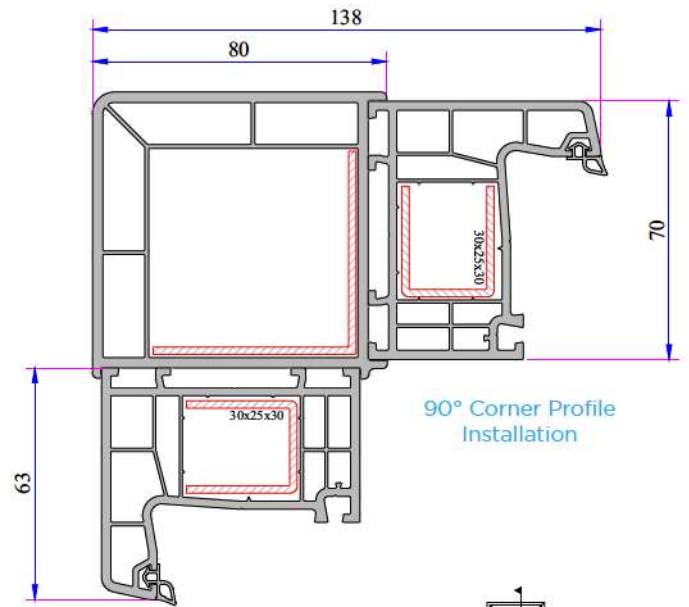
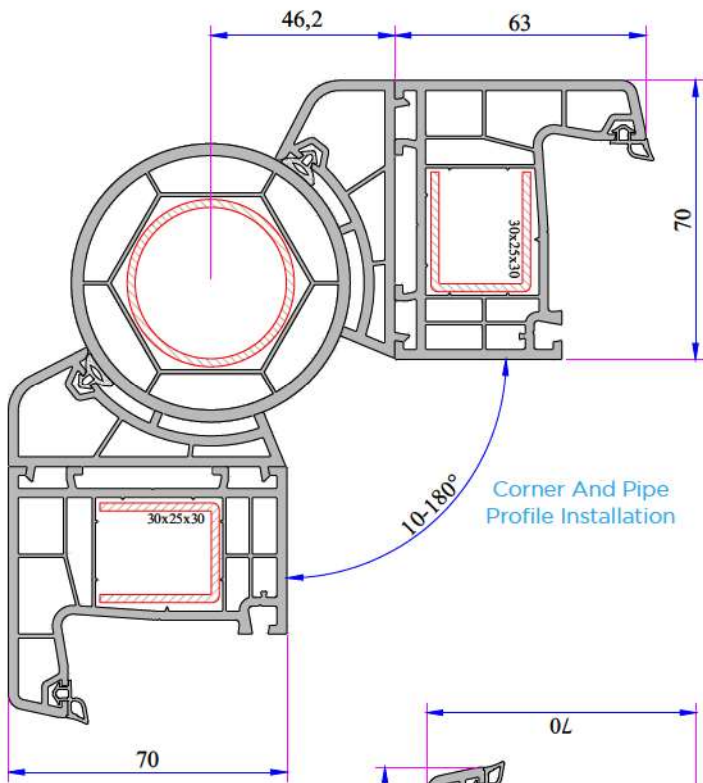
35mm Frame Lifting Profile Installation



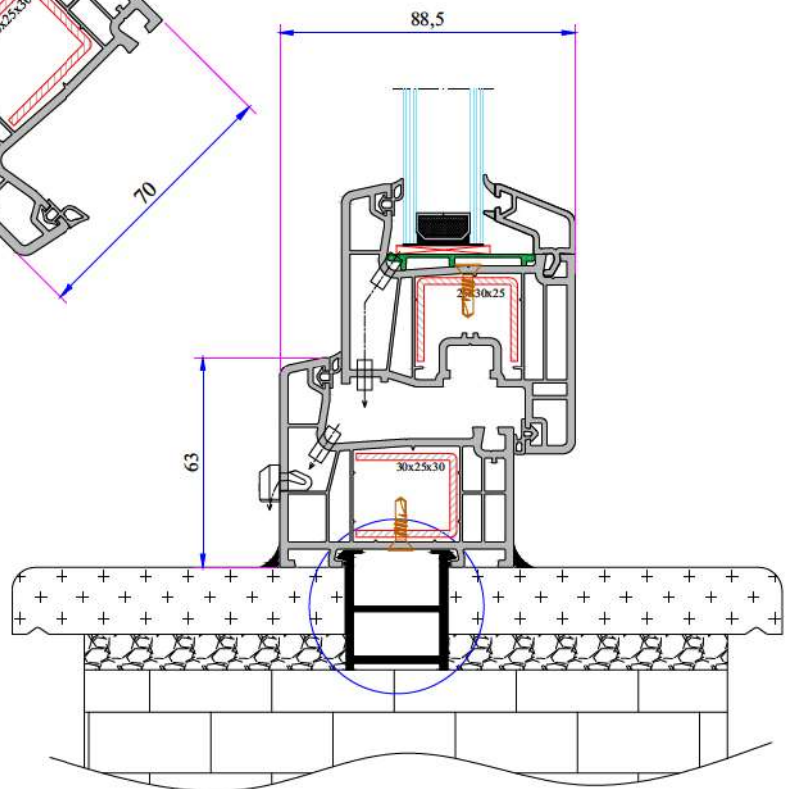
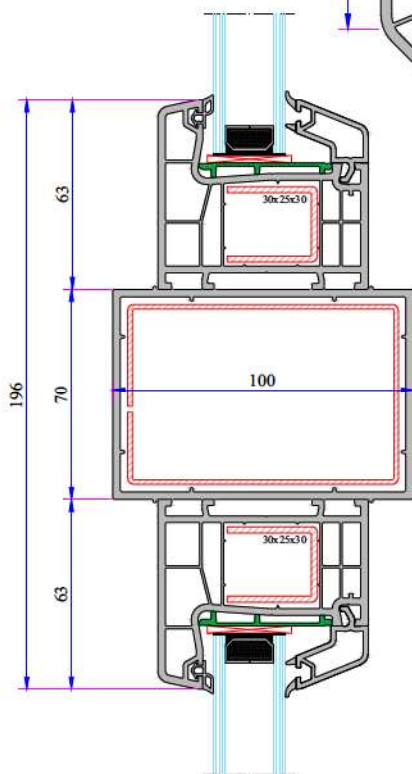
100mm Frame Lifting Profile Installation



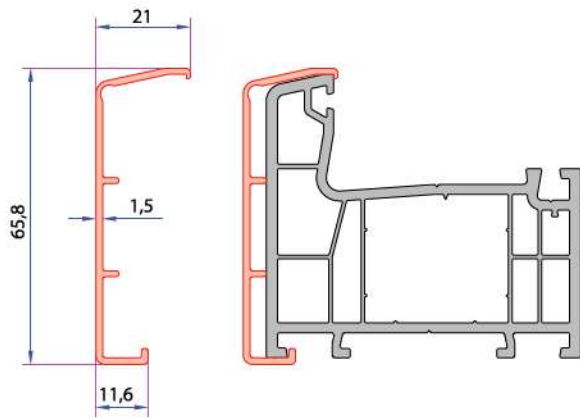
Mullion - Sash Installation



With Aluminium Threshold
Frame Door Sash Installation

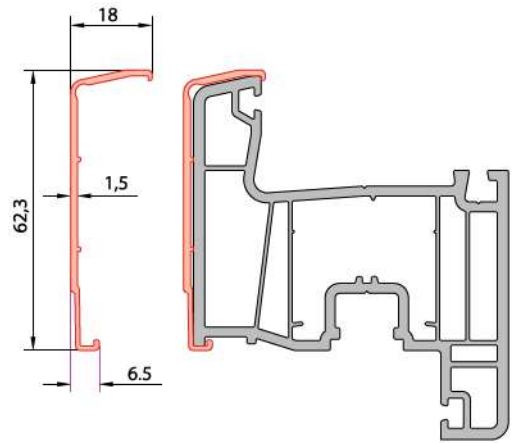


70 SERIES PVC PROFILE SYSTEM



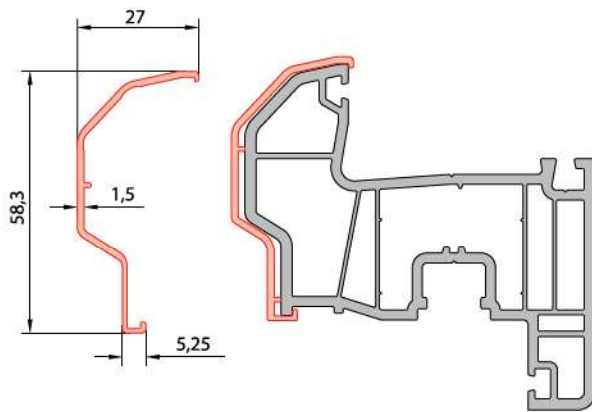
Aluminium Cladding Profile With Frame

Code:
34025 - 28010 (Alm. Color)
34025 - 29015 (Bronze)



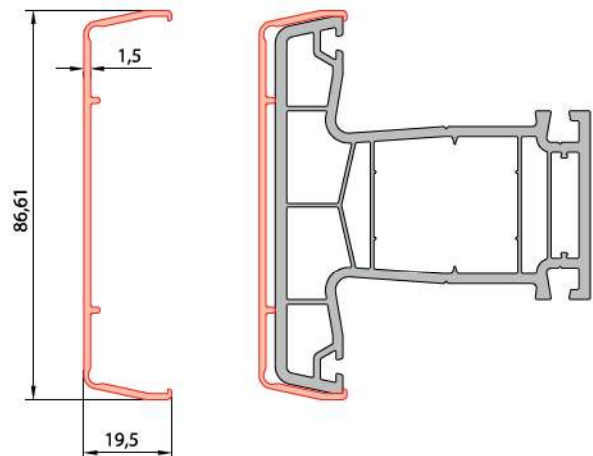
Aluminium Cladding Profile With Sash

Code:
34025 - 28030 (Alm. Color)
34025 - 29035 (Bronze)



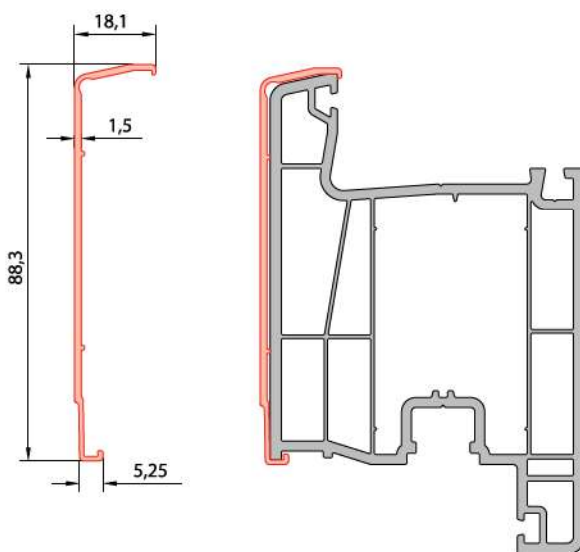
Aluminium Cladding Profile With Offset Sash

Code:
34025 - 28040 (Alm. Color)
34025 - 29045 (Bronze)



Aluminium Cladding Profile With Mullion

Code:
34025 - 28050 (Alm. Color)
34025 - 29055 (Bronze)



Aluminium Cladding Profile With Door Sash

Code:
34025 - 28060 (Alm. Color)
34025 - 29065 (Bronze)



Aluminium Color

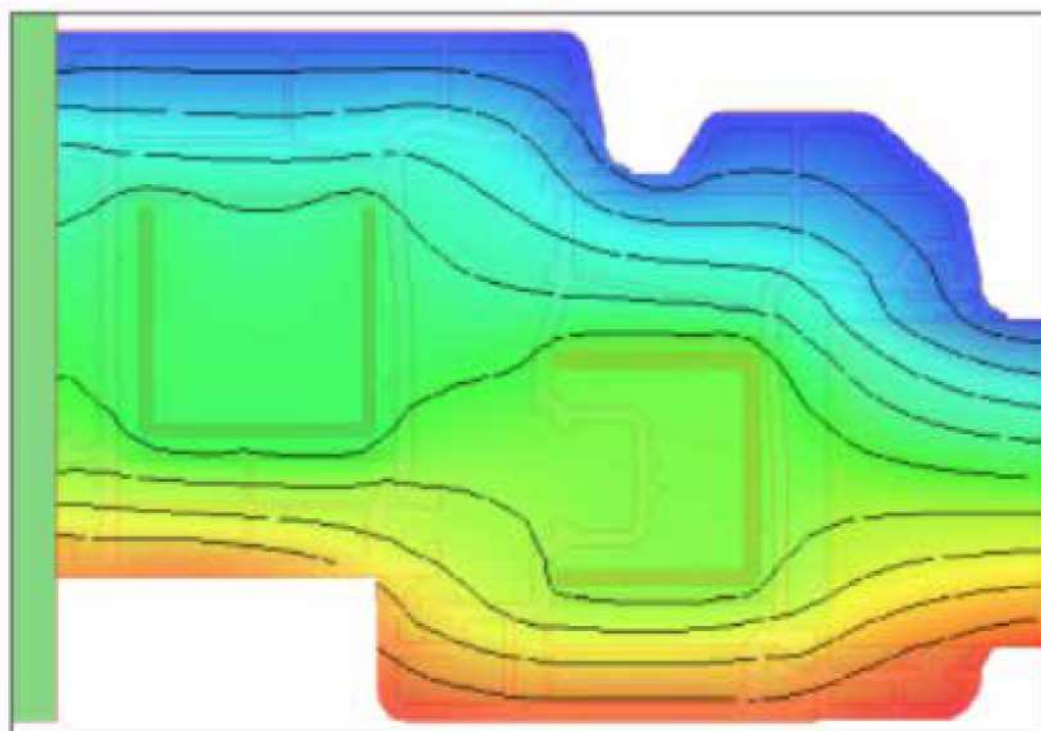


Bronze Color

Project name:	750 Super Frame- Offset Thype Sash 6		
Transmittance (Uf):	1.3000 W/m ² K	Internal T:	20.00 °C
Conductance (Lf2D):	0.2920 W/mK	External T:	0.00 °C
Frame length (Bf):	118.00 mm		



Thermal transmittance (Uf) computation performed in accordance with EN ISO 10077-2:2012



0.31 18.19

Node details

Primitives used for finite element simulation:	19282
Frame width (Bf):	118.00 mm
Visible insulation panel width (Bp):	189.91 mm
Insulation panel thickness (Dp):	46.20 mm

External boundary conditions:

Temperature:	0.00 °C
Surface resistance:	0.040 m ² K/W

Internal boundary conditions:

Temperature:	20.00 °C
Surface resistance:	0.130 m ² K/W
Humidity:	-

Results computed in accordance with EN ISO 10077-2:2012

Internal/external temperature difference:	-
2D conductance (Lf2D):	0.2920 W/mK
Transmittance (Uf):	1.3000 W/m²K



FACTORY

Antalya Organize Sanayi Bölgesi 2.Kısım Mah. 21.Cadde No:3

07040 Döşemealtı / ANTALYA / TURKEY

Tel : +90 242 236 20 00 · Faks : +90 242 236 20 90 · Email : info@adowin.com.tr

